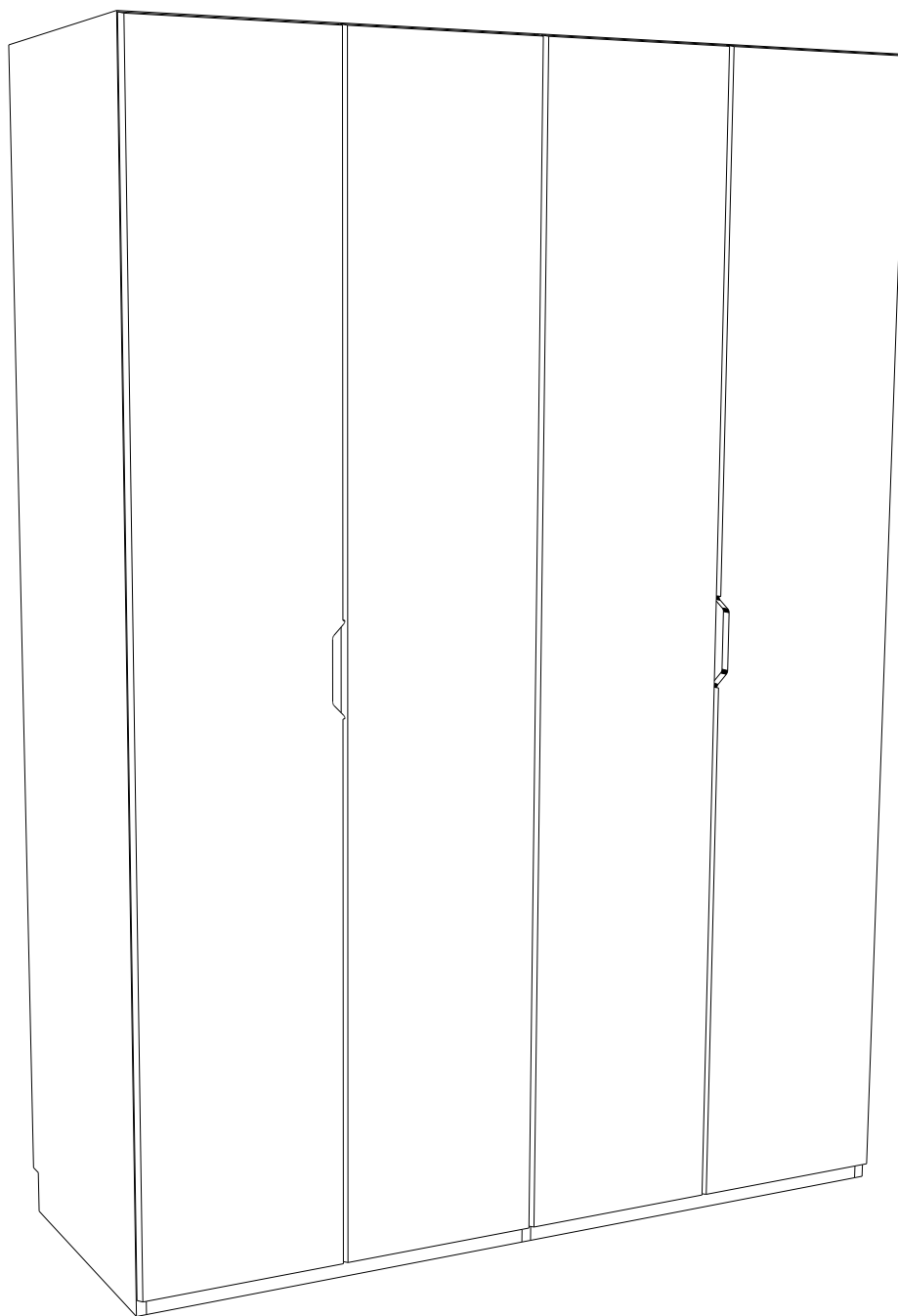


ASSEMBLY INSTRUCTION

WARDROBE NOBLE 2/4 DOORS

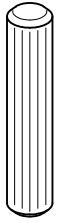


radis

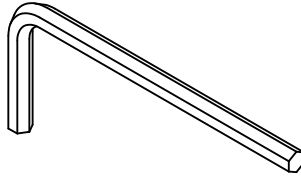
NATURAL COMPACT LIVING

WWW.RADIS.EE

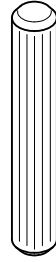
2 DOORS / 4 DOORS



X8



X1



X4 ONLY WITH 4 DOORS



X8 / X16



X4 / X8



X4 ONLY WITH 4 DOORS



X1 / X2



X8

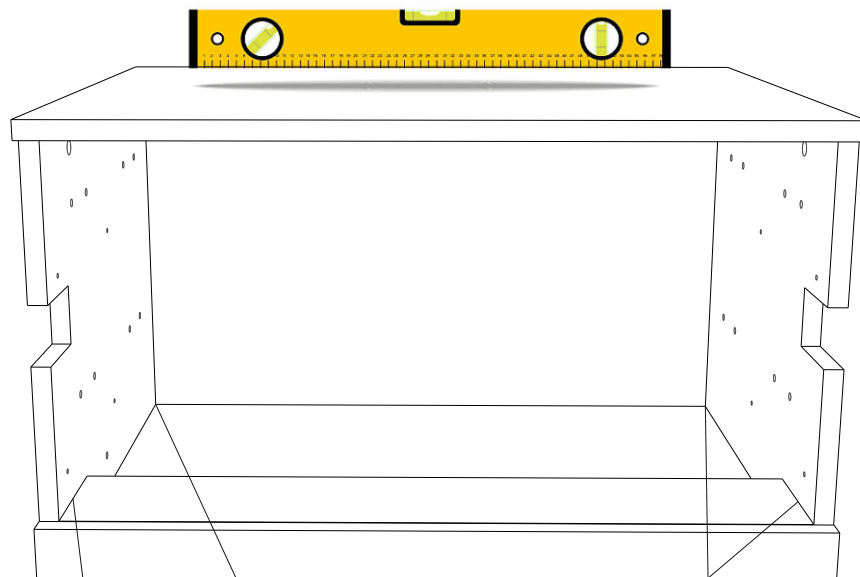


X8 / X16



X6 / X12

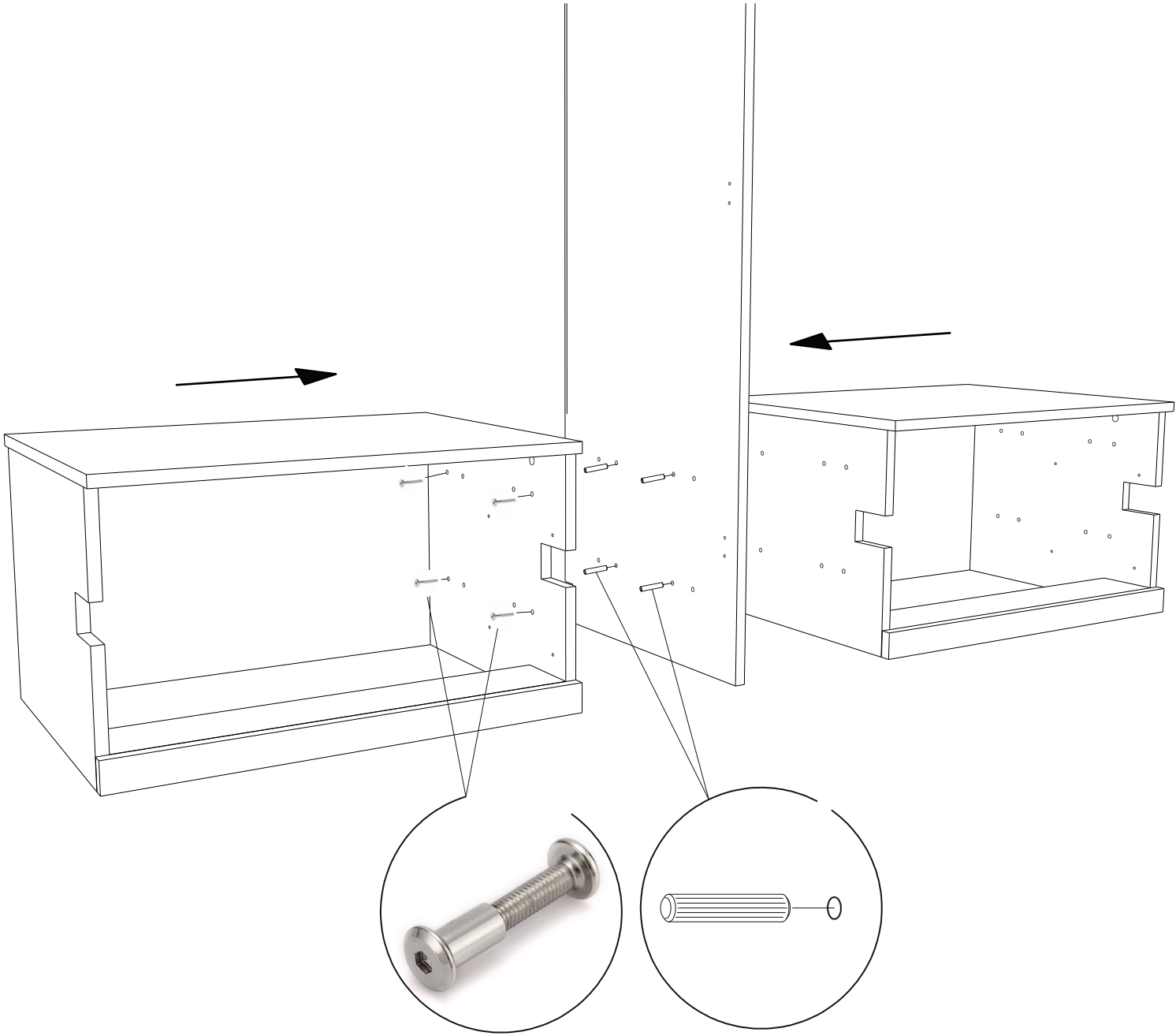
3



Balance the cabinet legs

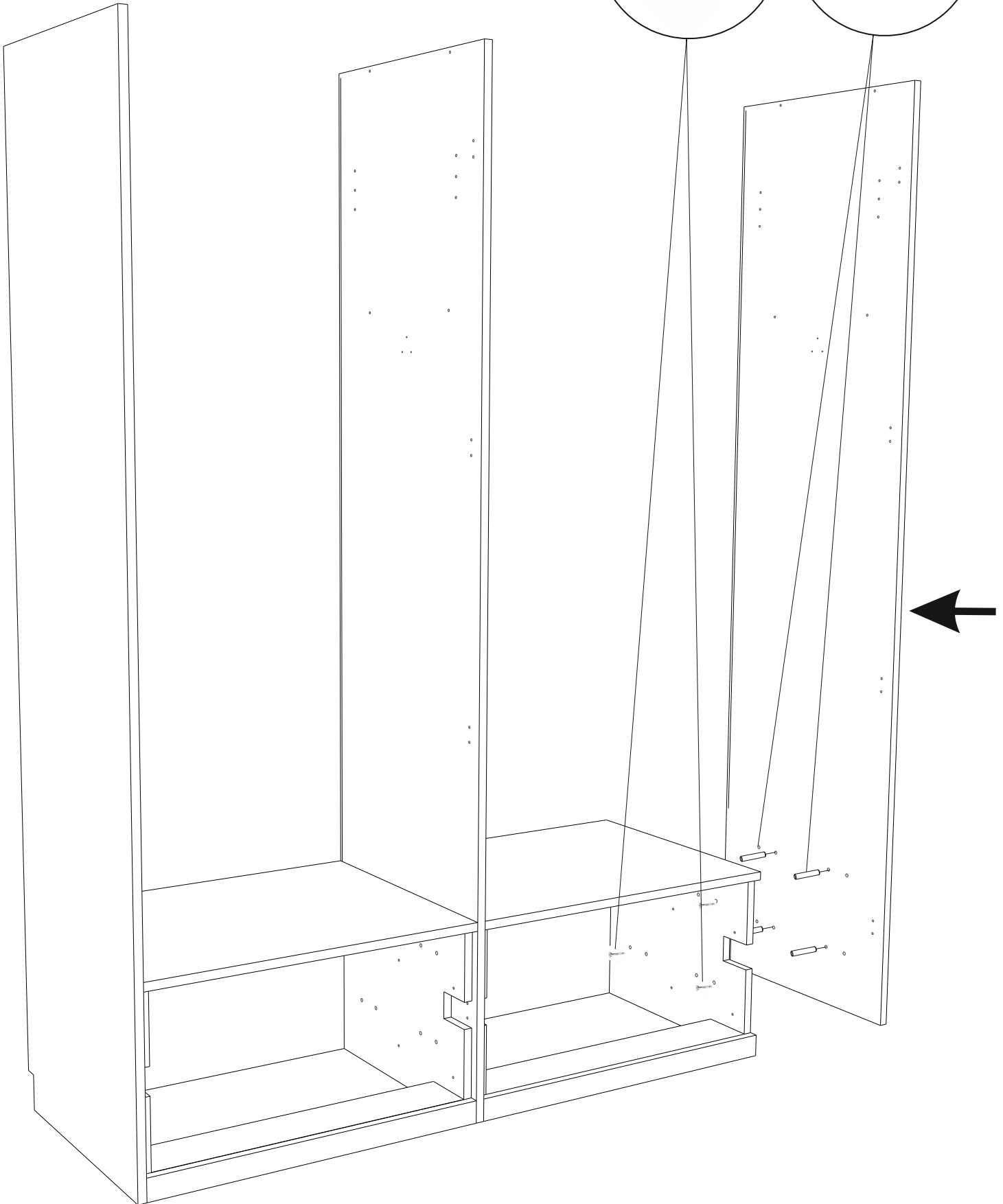
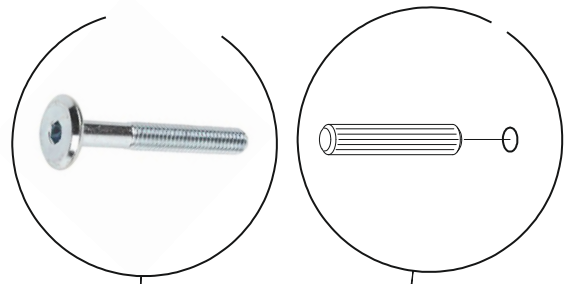


4

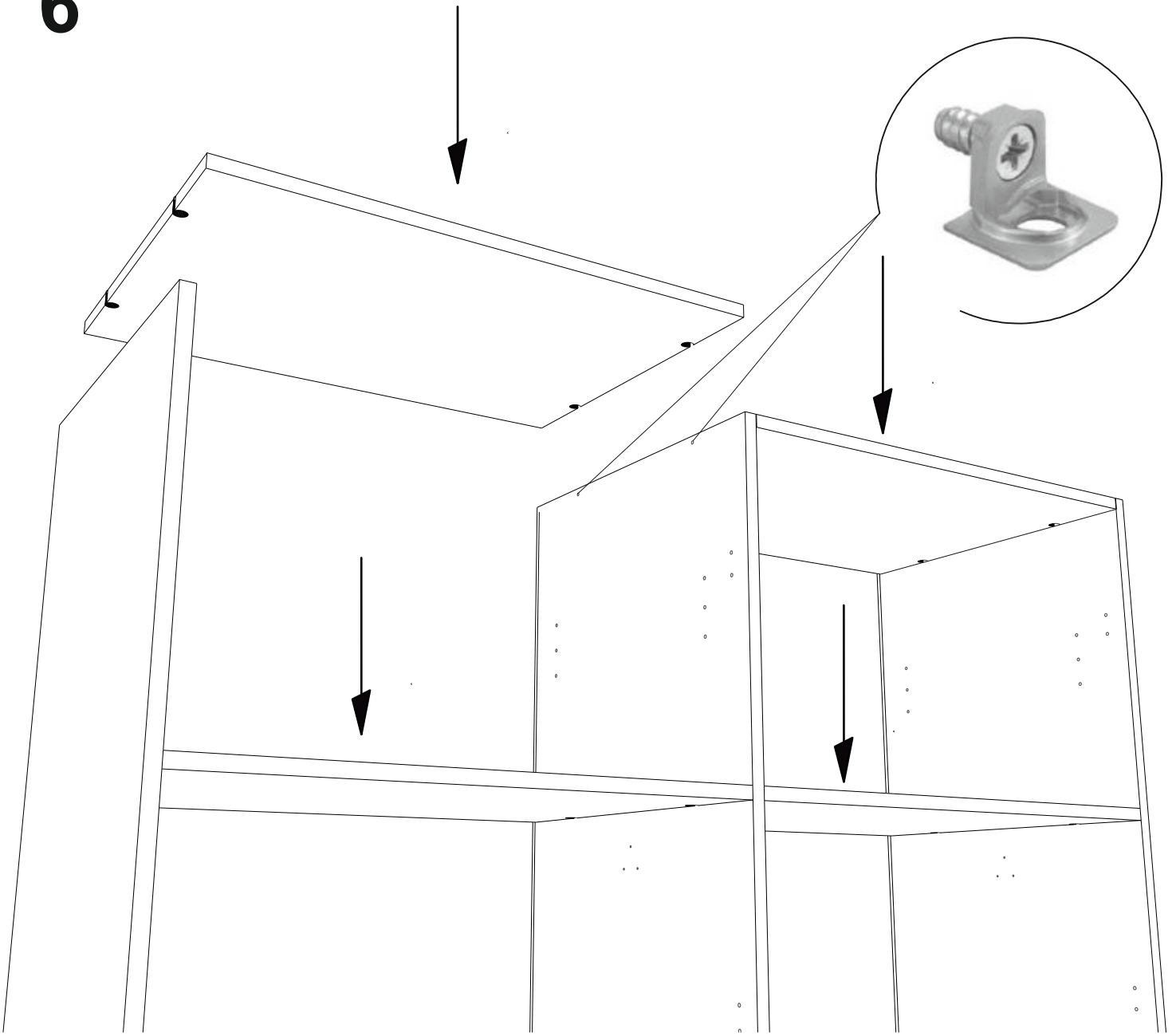


4 door model connect the cabinets together

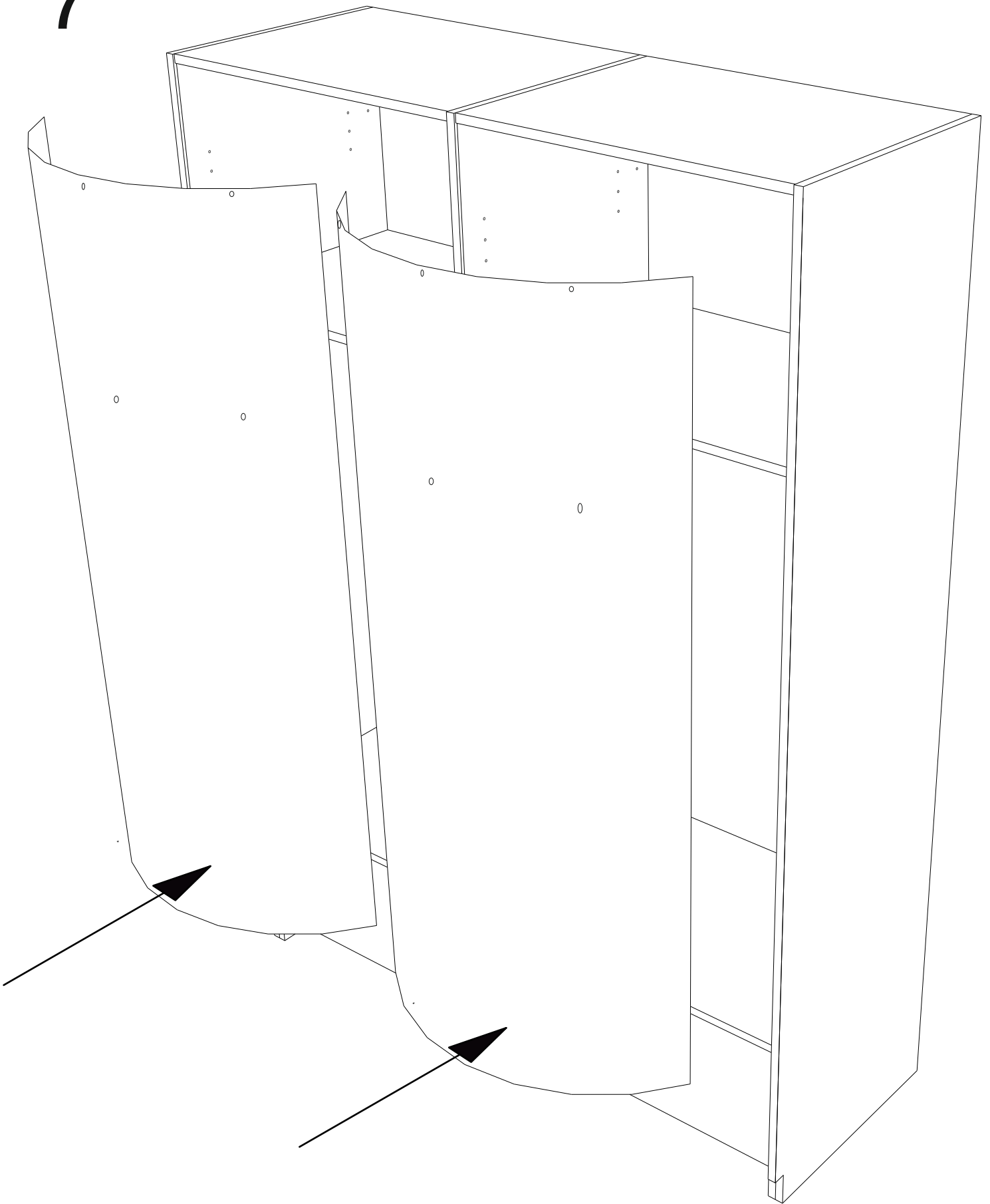
5



6

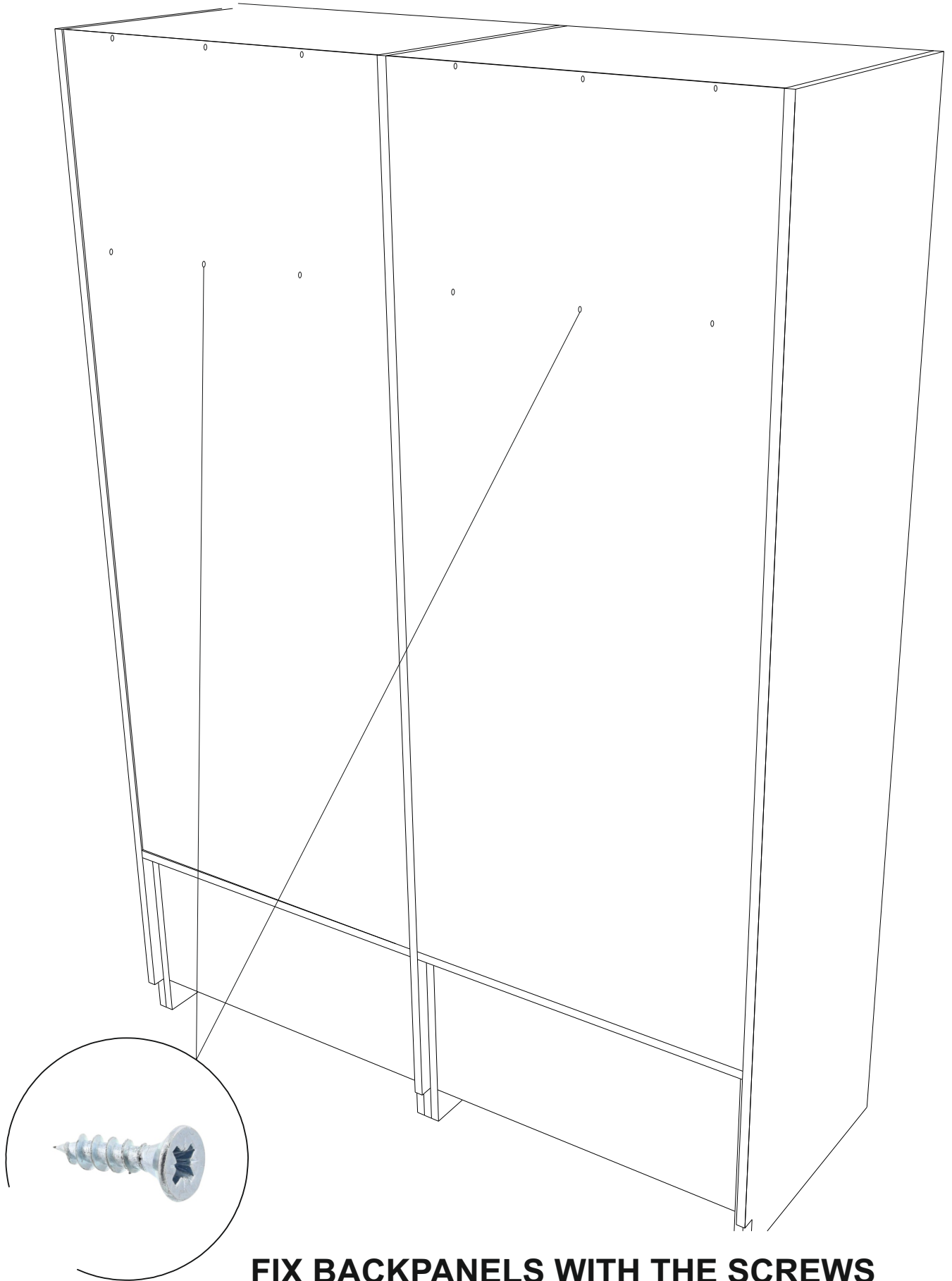


7



Bend the background plywood into the back groove

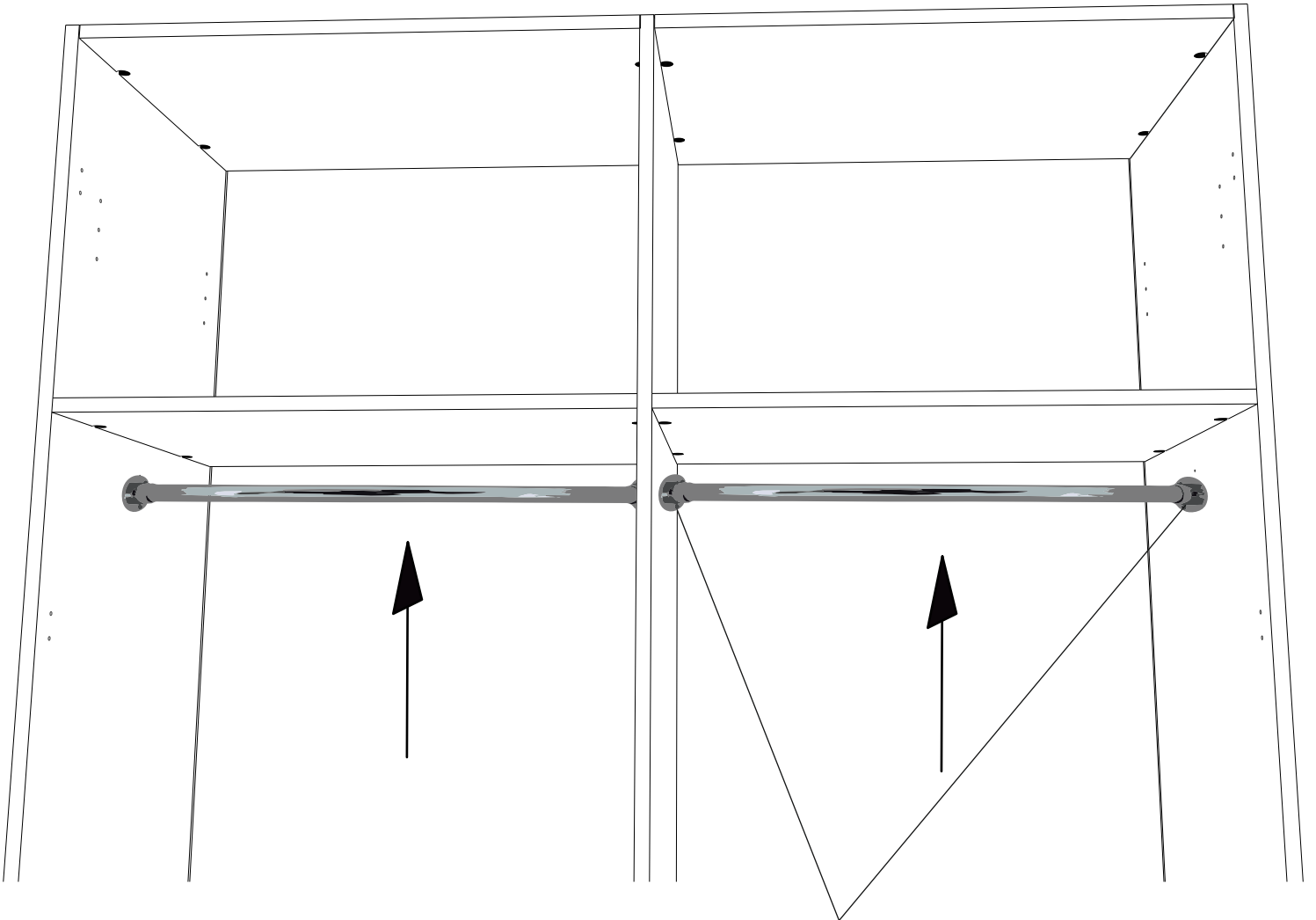
8



9

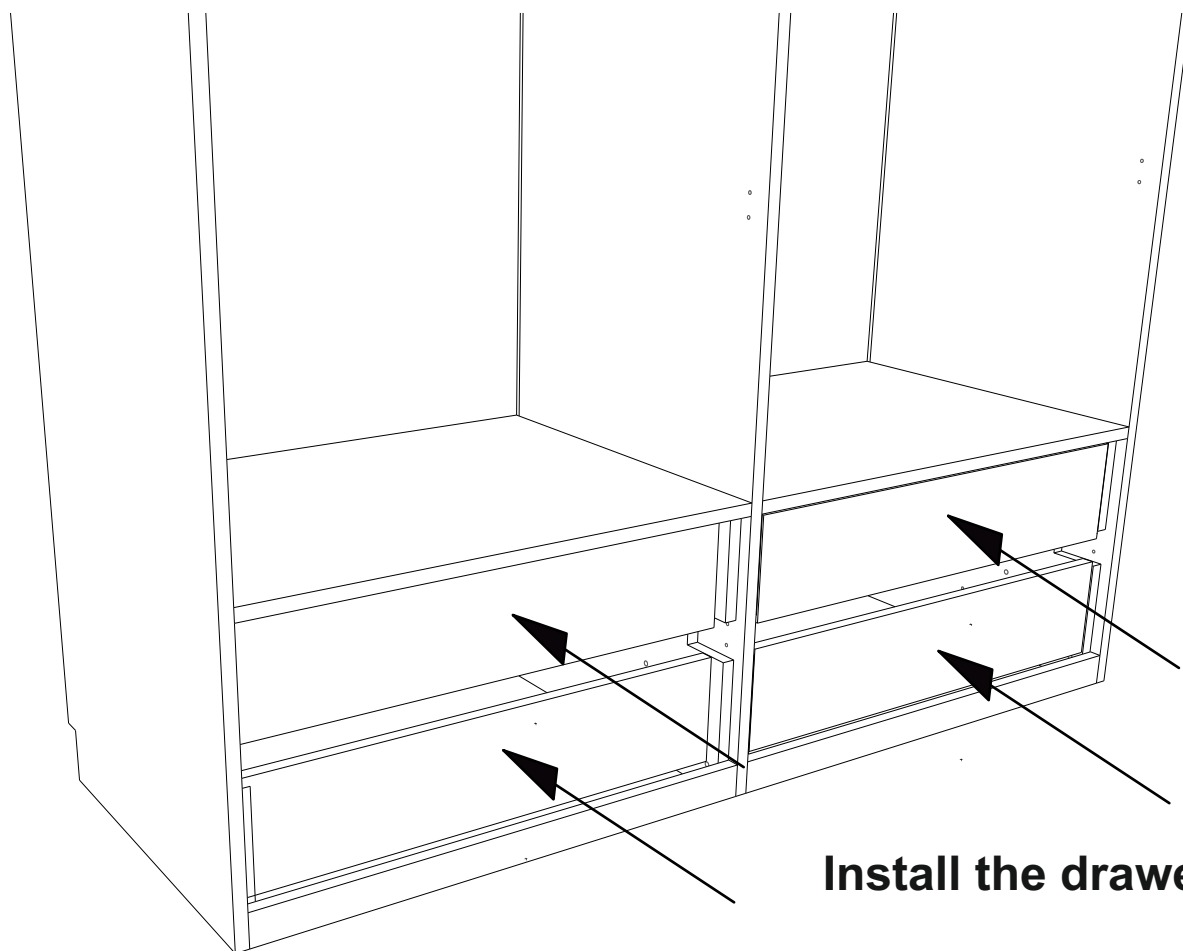
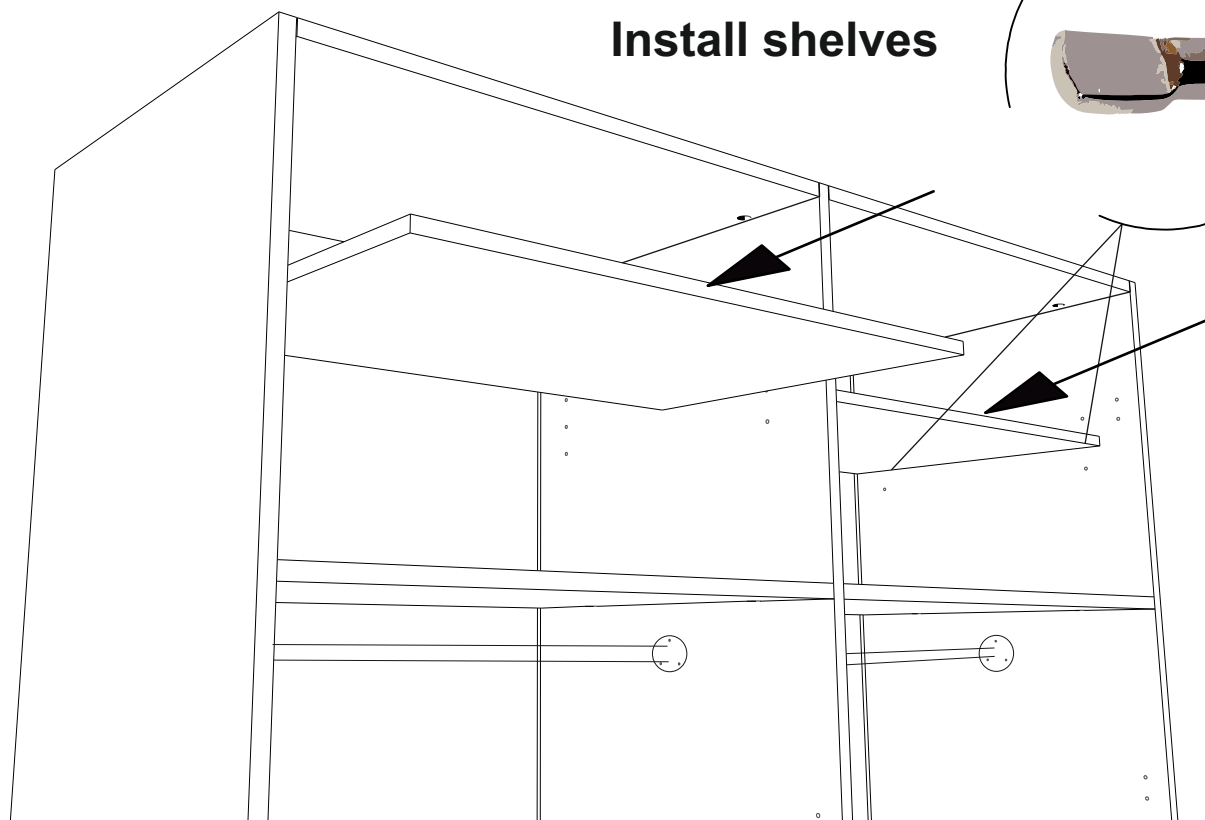
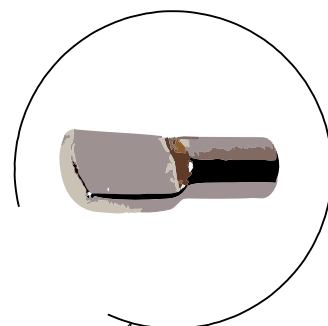


7



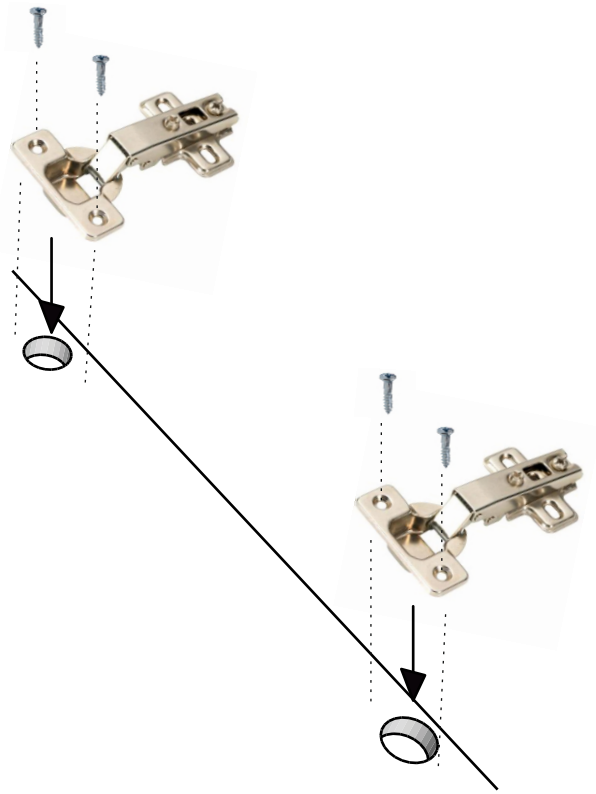
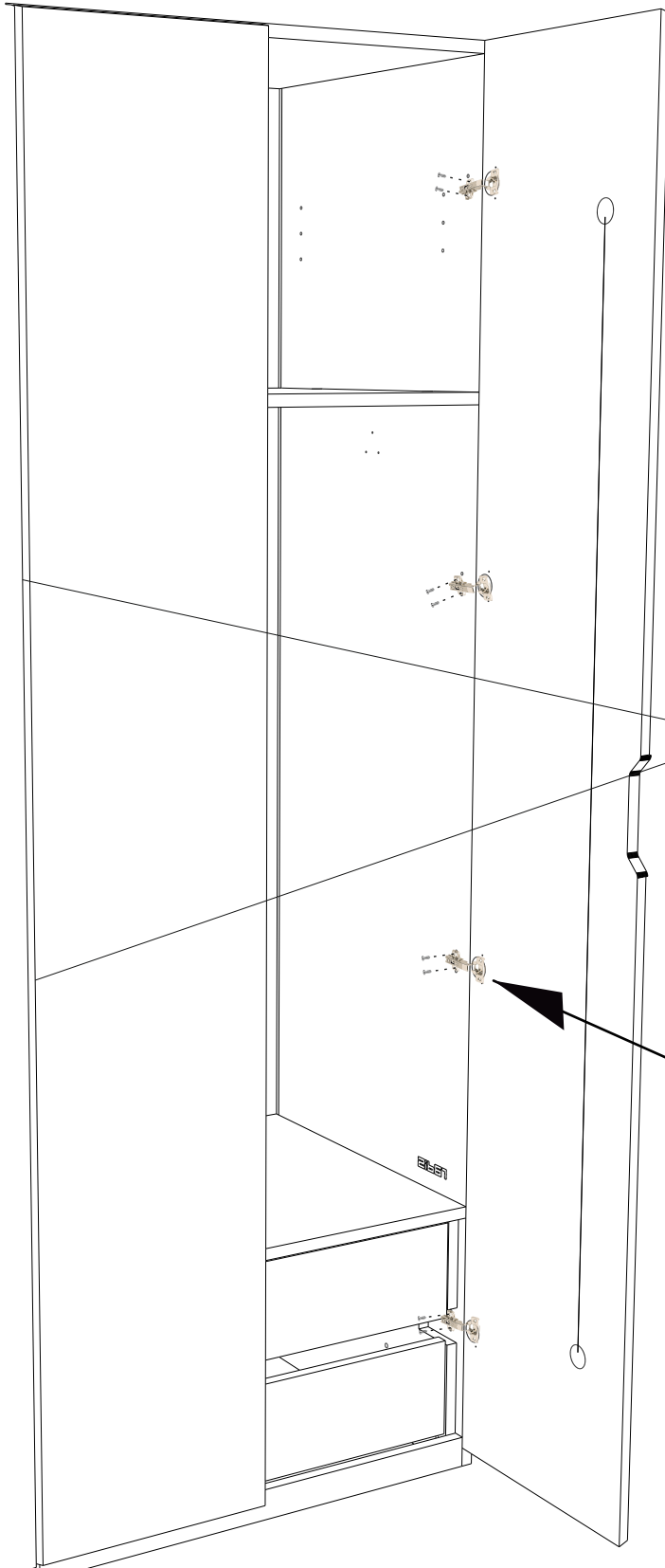
8

Install shelves



Install the drawers

9



**IMPORTANT FOR 4 DOOR MODEL
FOR CENTER DOORS:
USE HINGES AND SCREWS
FROM LABELED BAG "CENTER DOORS"**

