

ASSEMBLY INSTRUCTION

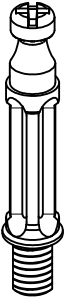
# WARDROBE HUH



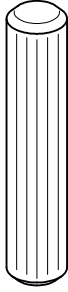
**radis**

NATURAL COMPACT LIVING

[WWW.RADIS.EE](http://WWW.RADIS.EE)



X22



X34



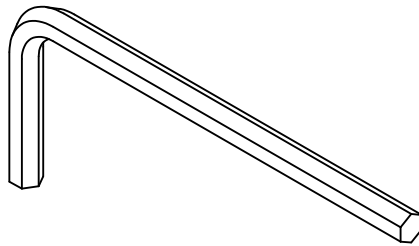
X22



X4



X9



X1



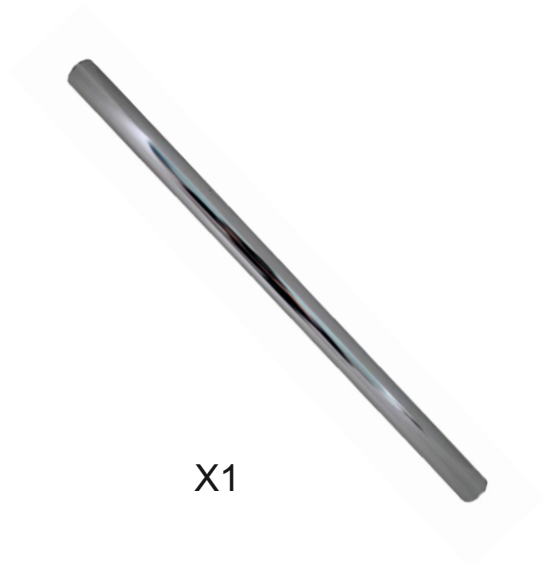
X12



X2

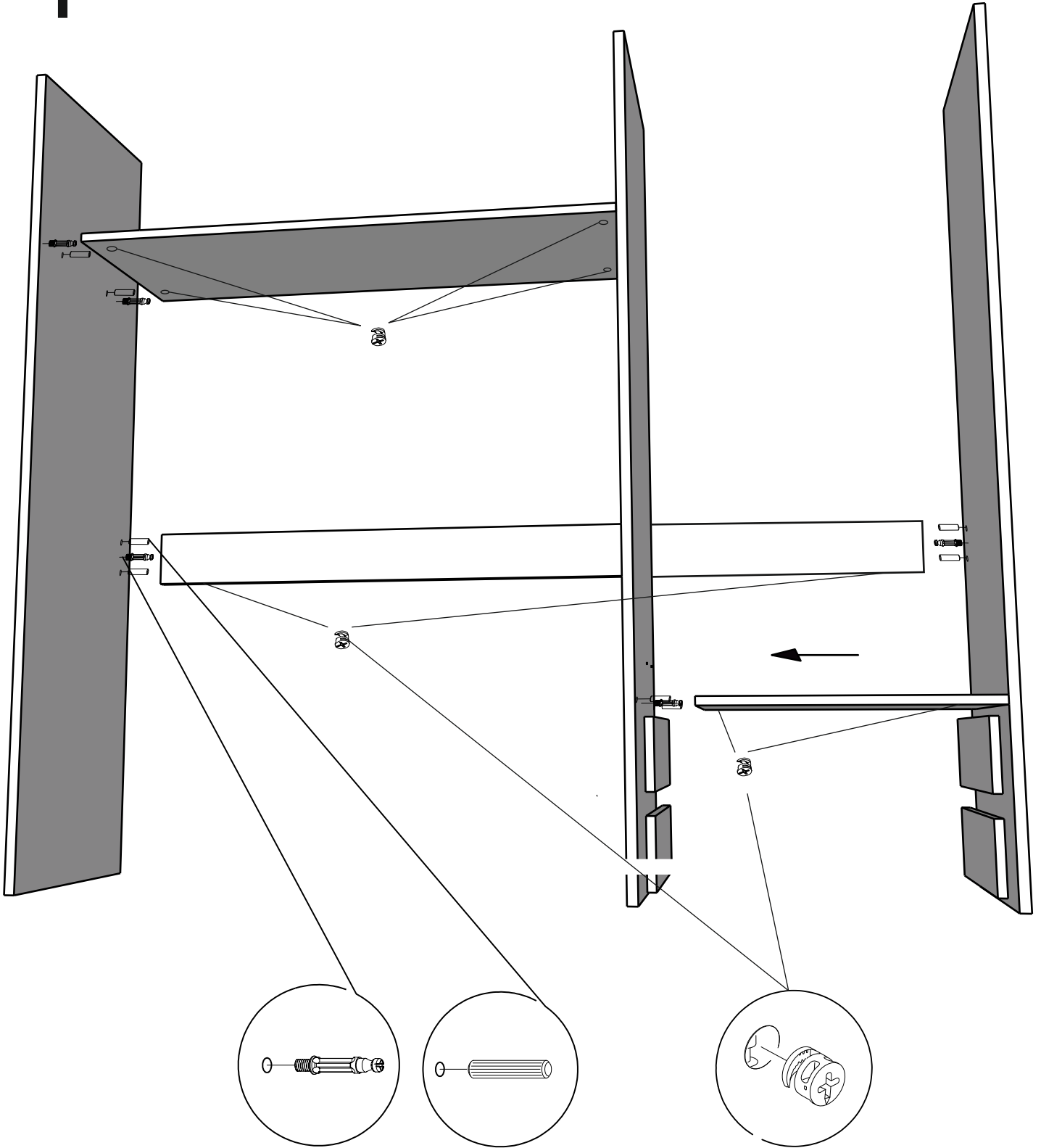


X4



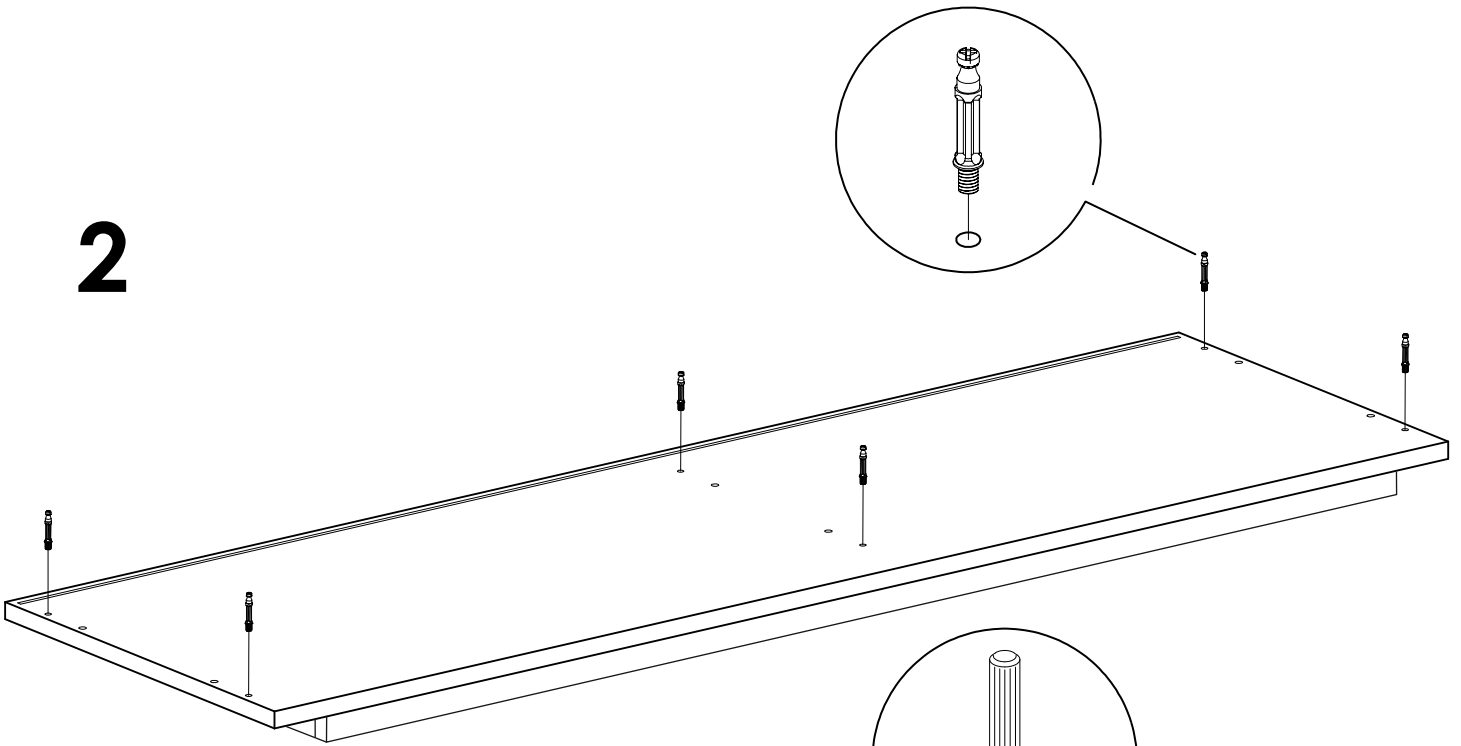
X1

1

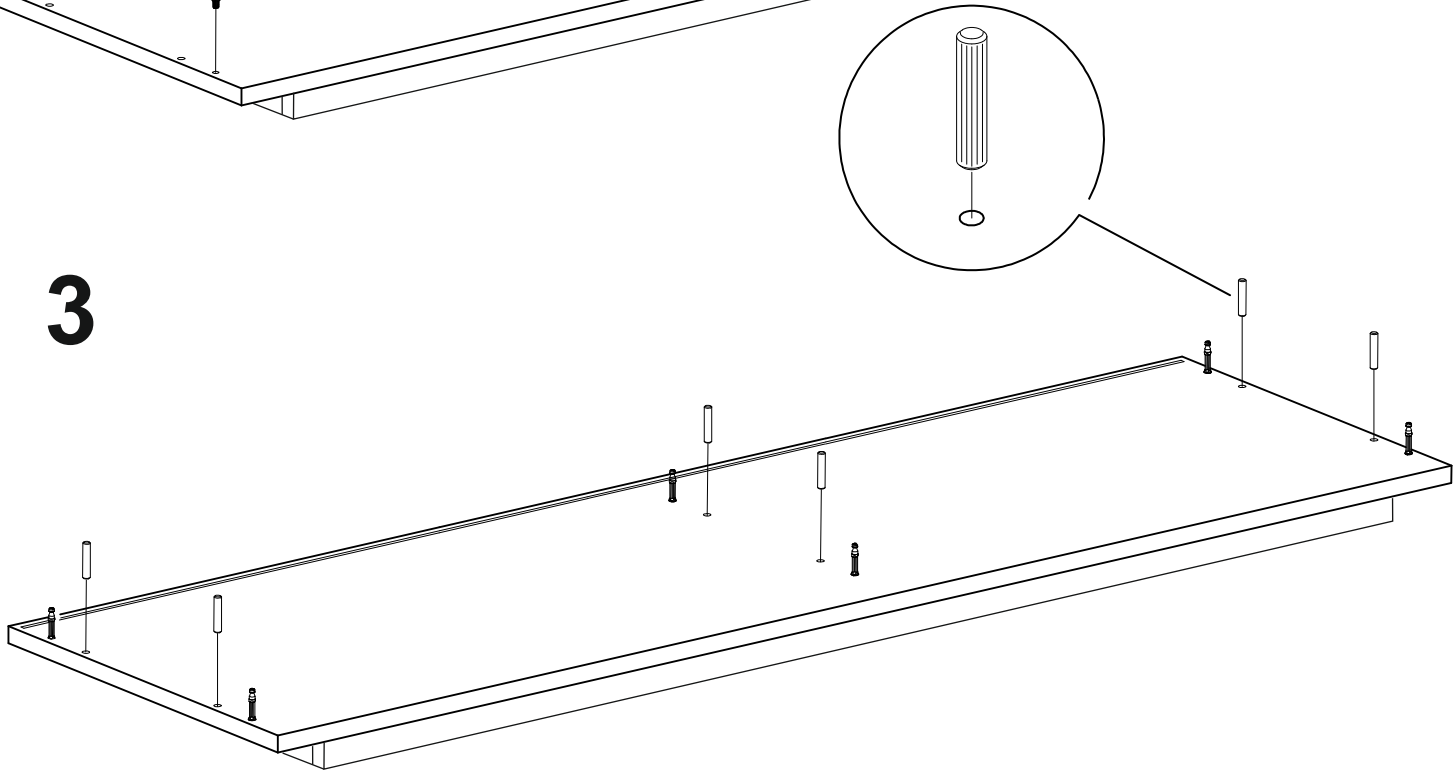


**Note! If 2 doors wardrobe, then wider detail ( 431 x 570mm) will go on right side.**

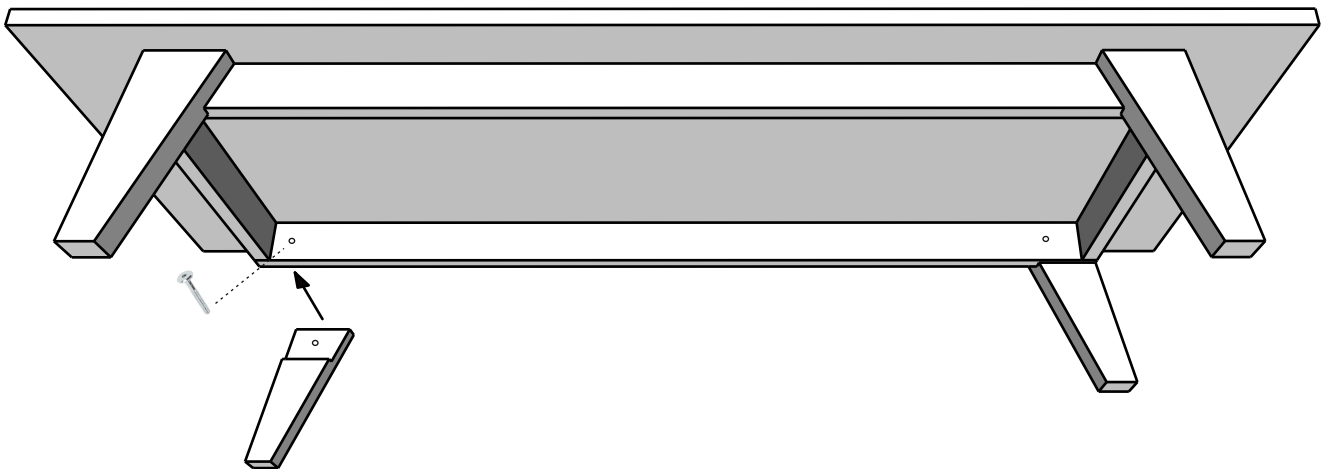
2



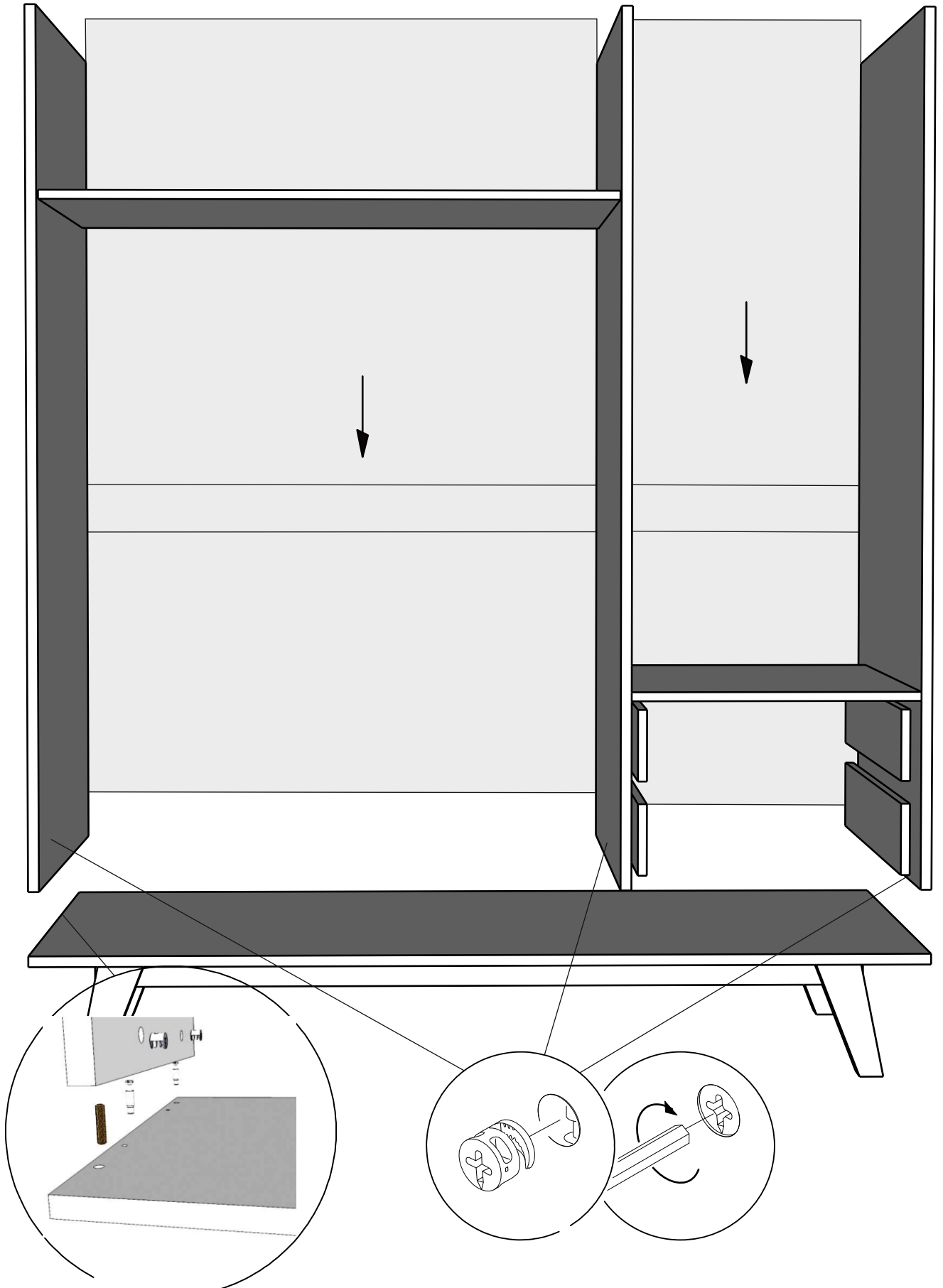
3



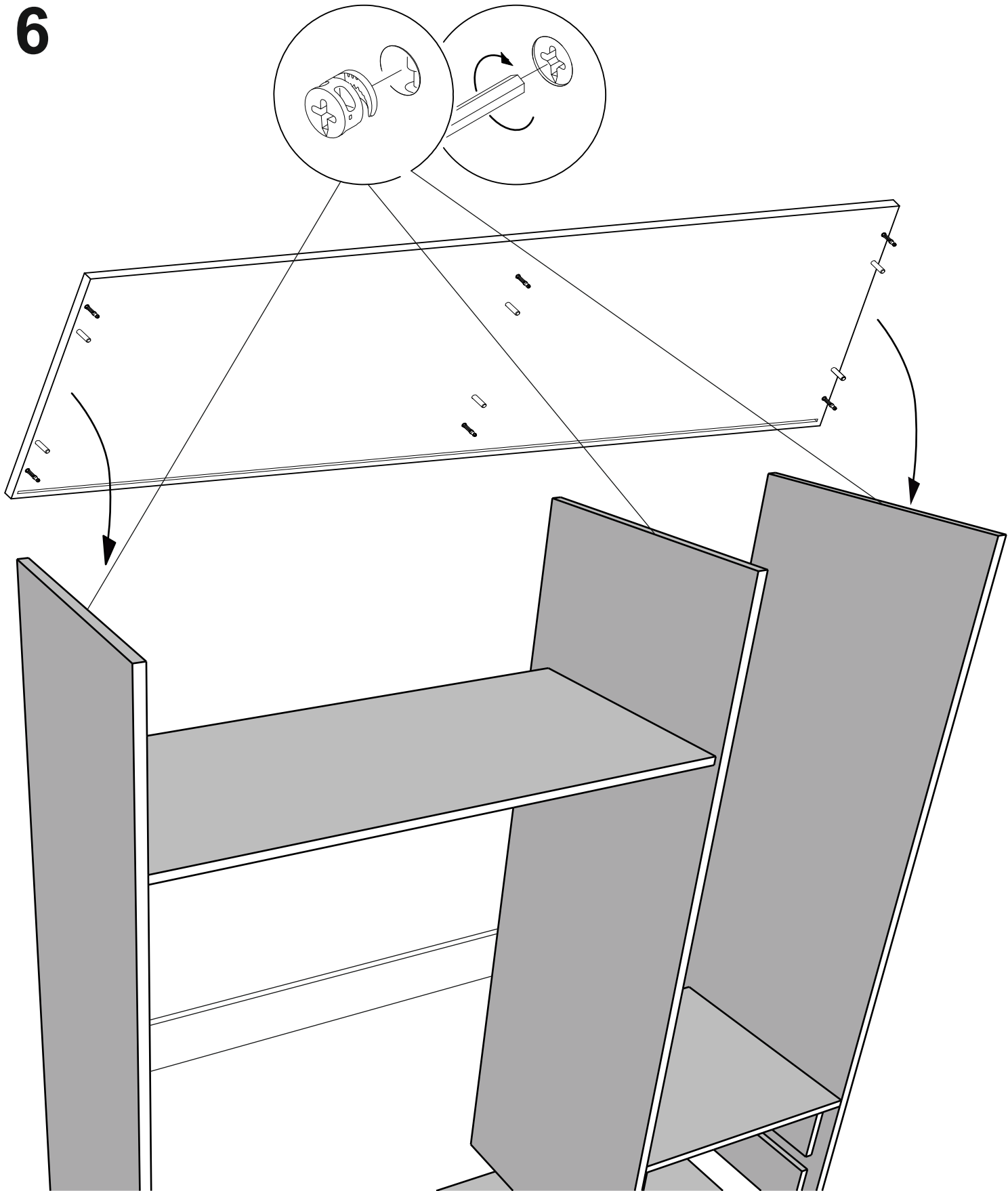
4



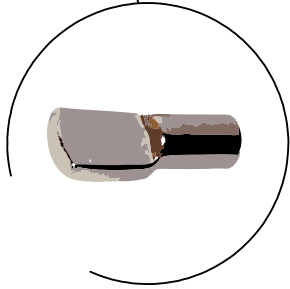
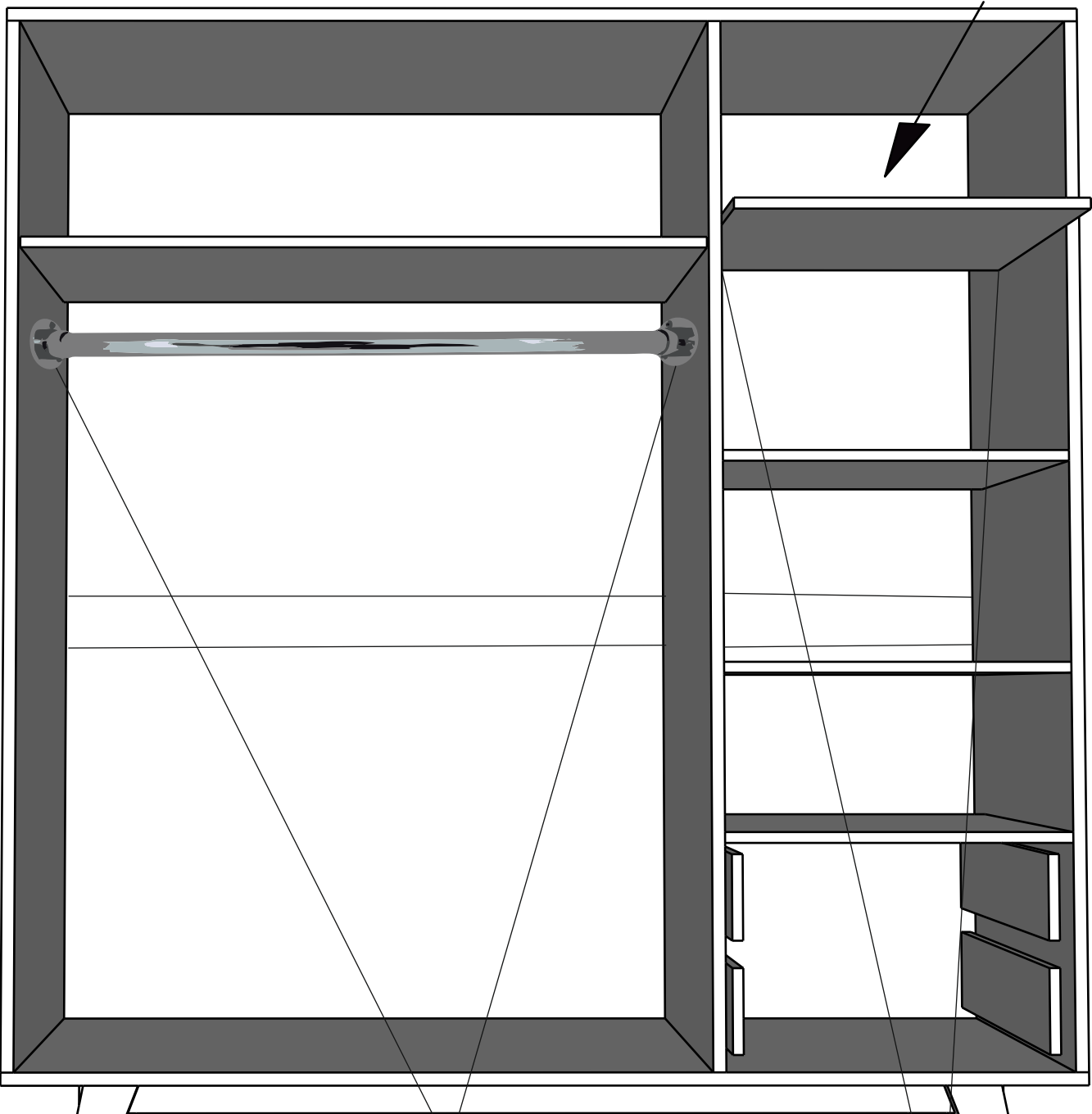
5



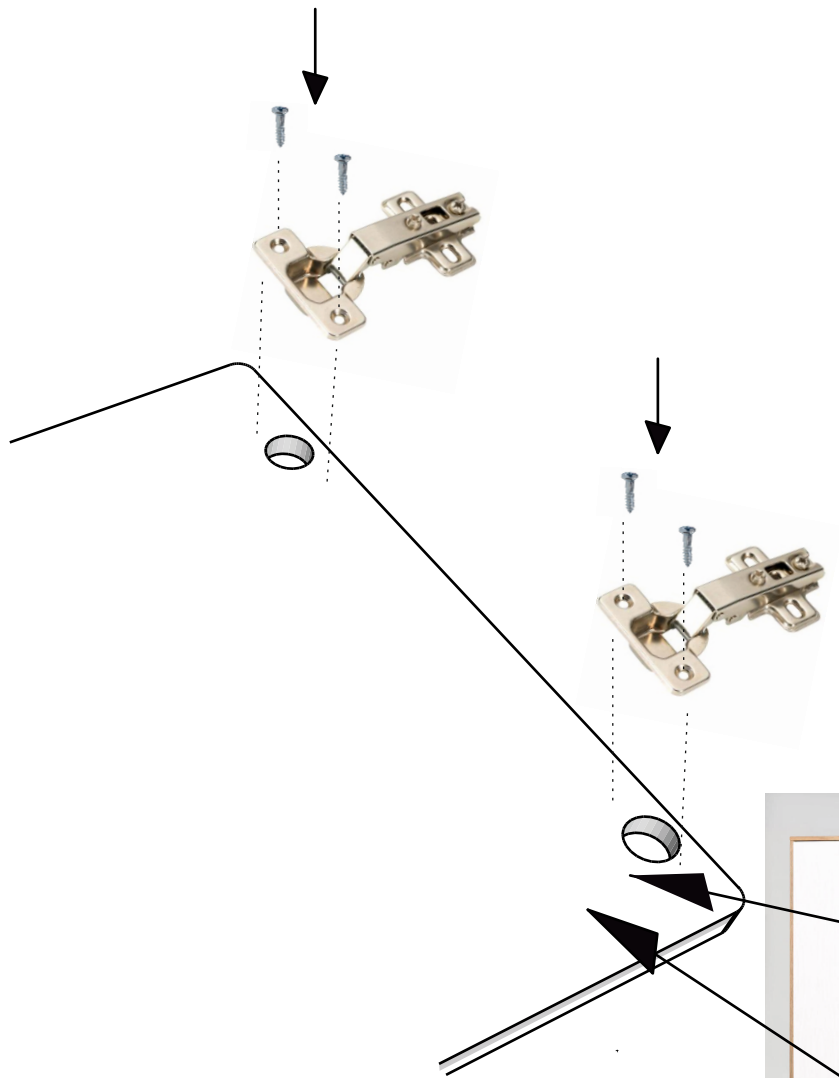
6



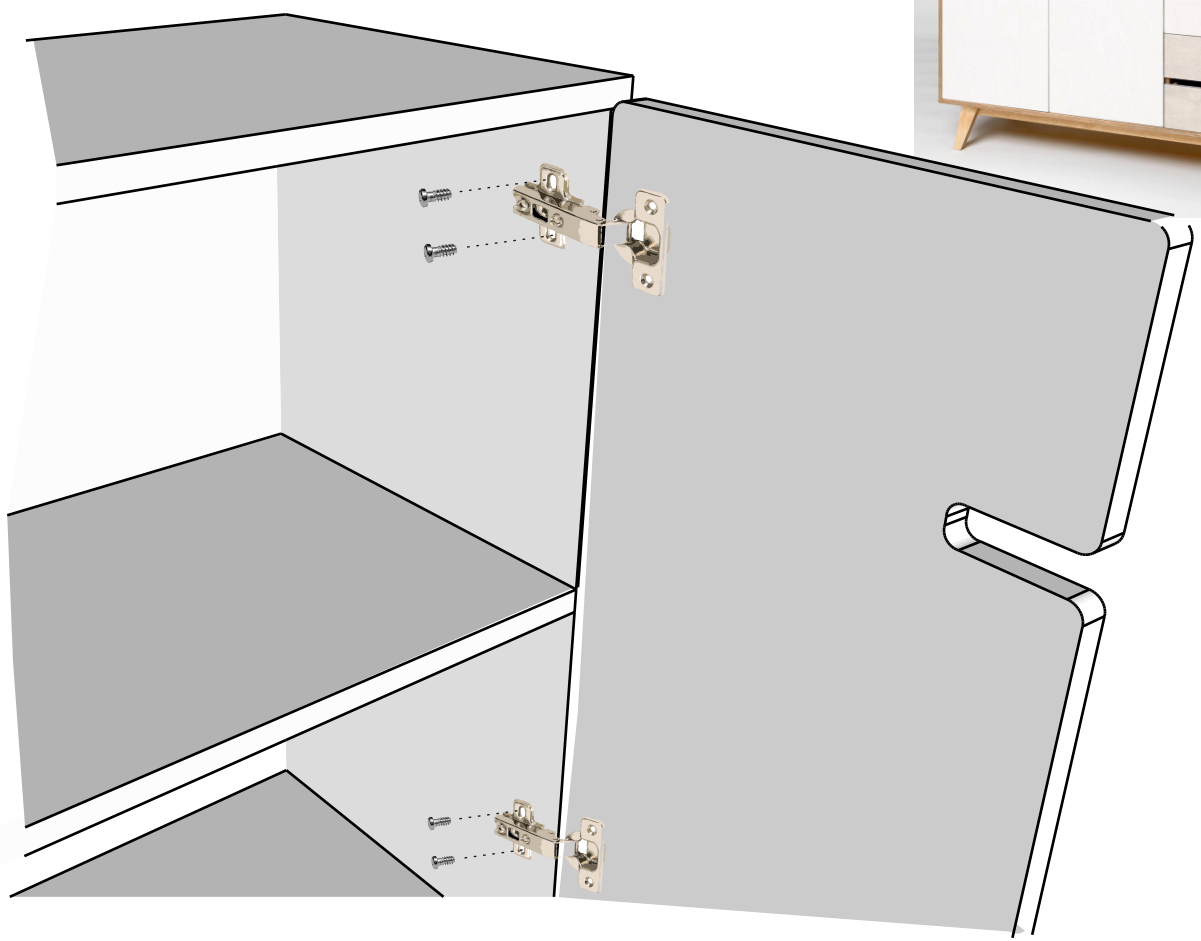
7



8

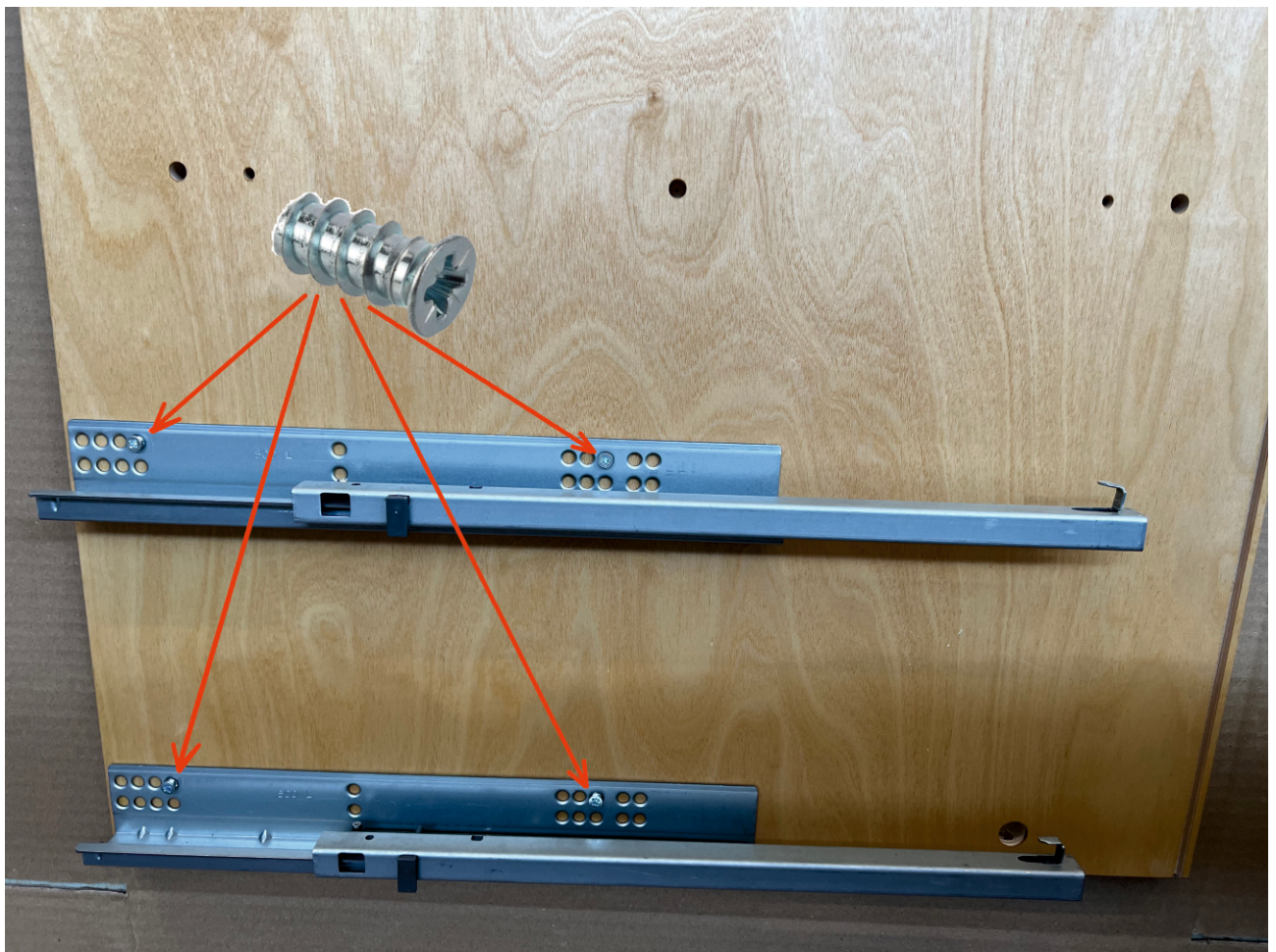


9





10



**FIX BACKPANELS WITH SCREWS**

11

