

ASSEMBLY INSTRUCTION

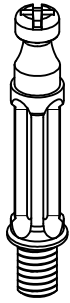
WARDROBE HUH WITH EXTRA LEVEL



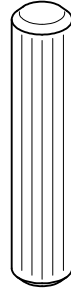
radis

NATURAL COMPACT LIVING

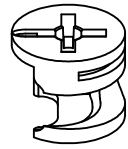
WWW.RADIS.EE



X34



X52



X34



X15



X4



X20



X2

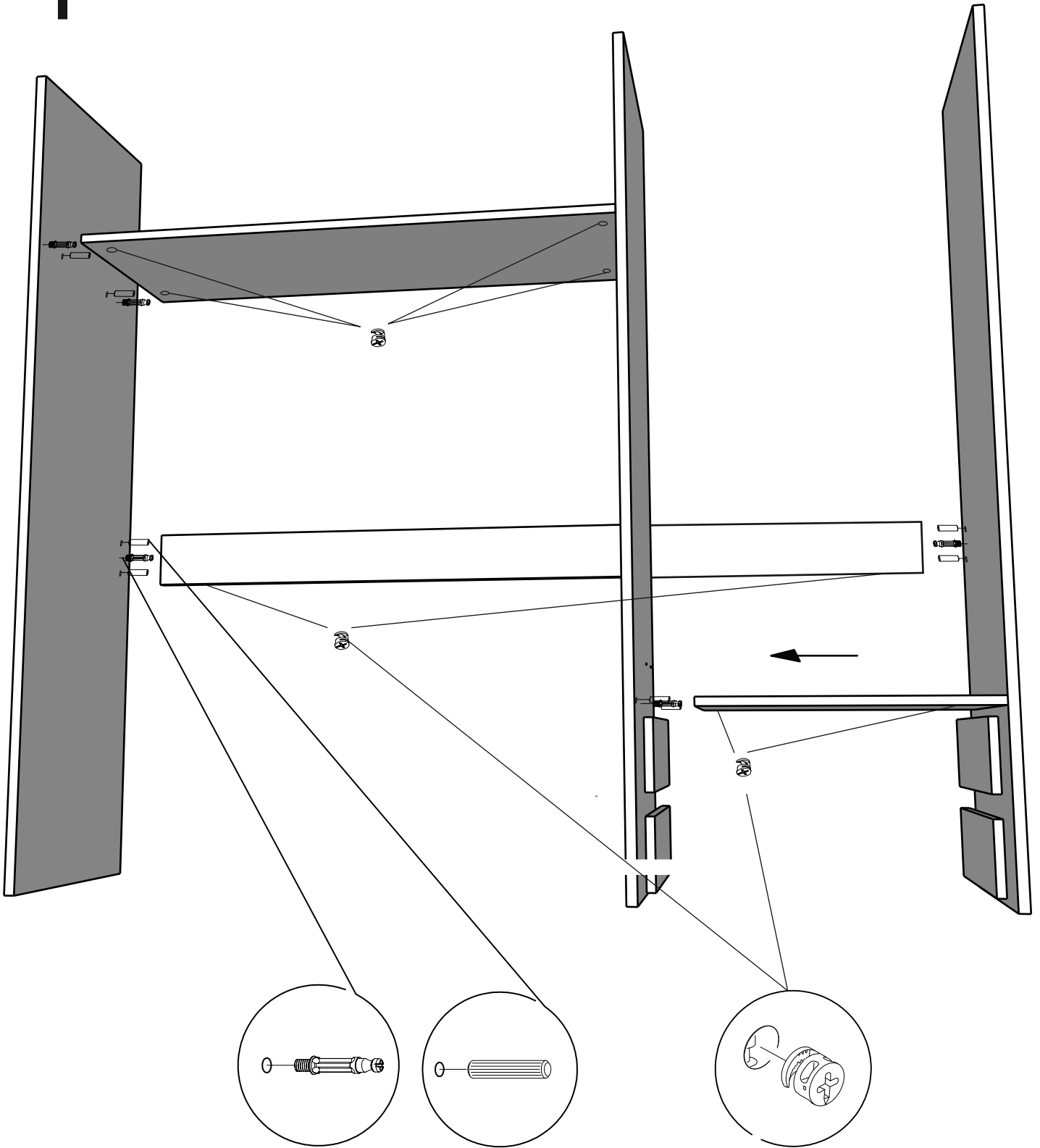


X6



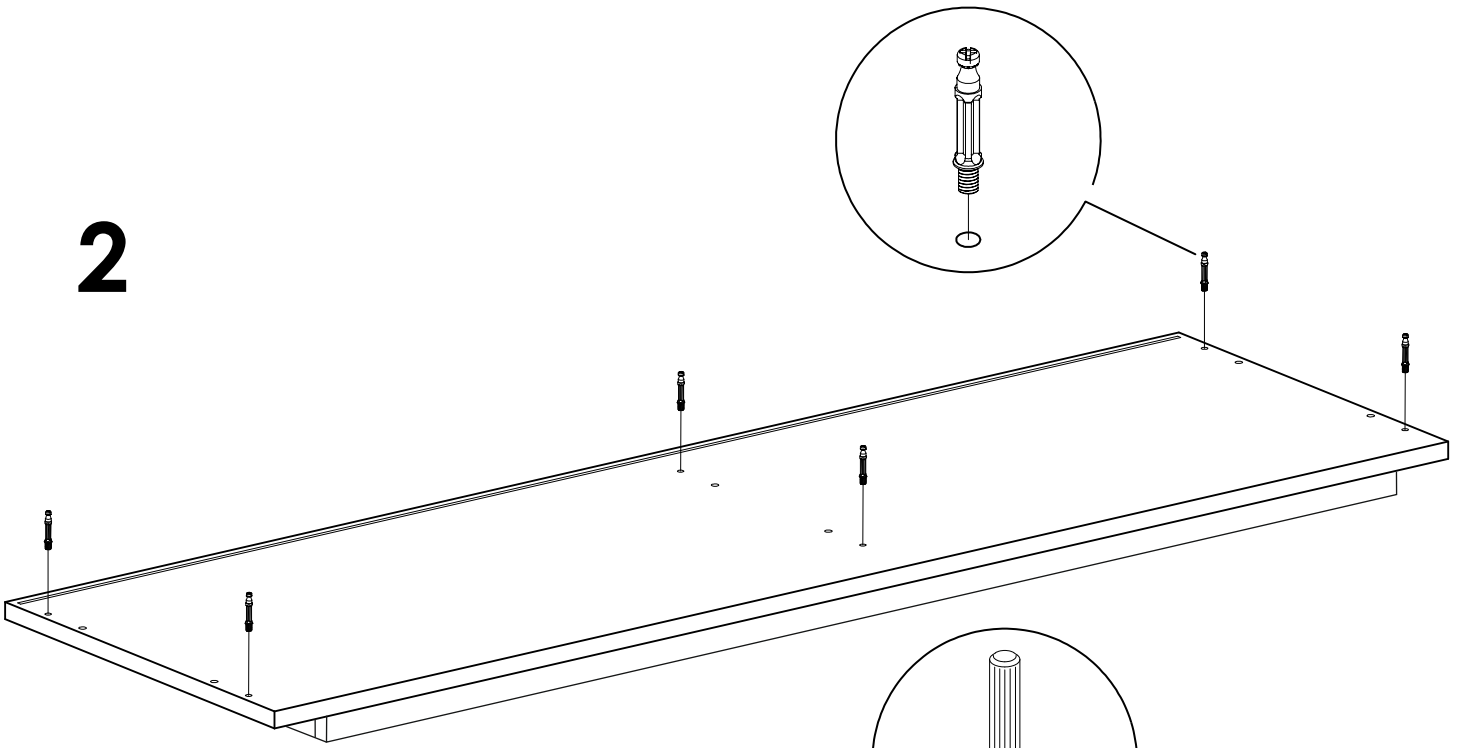
X1

1

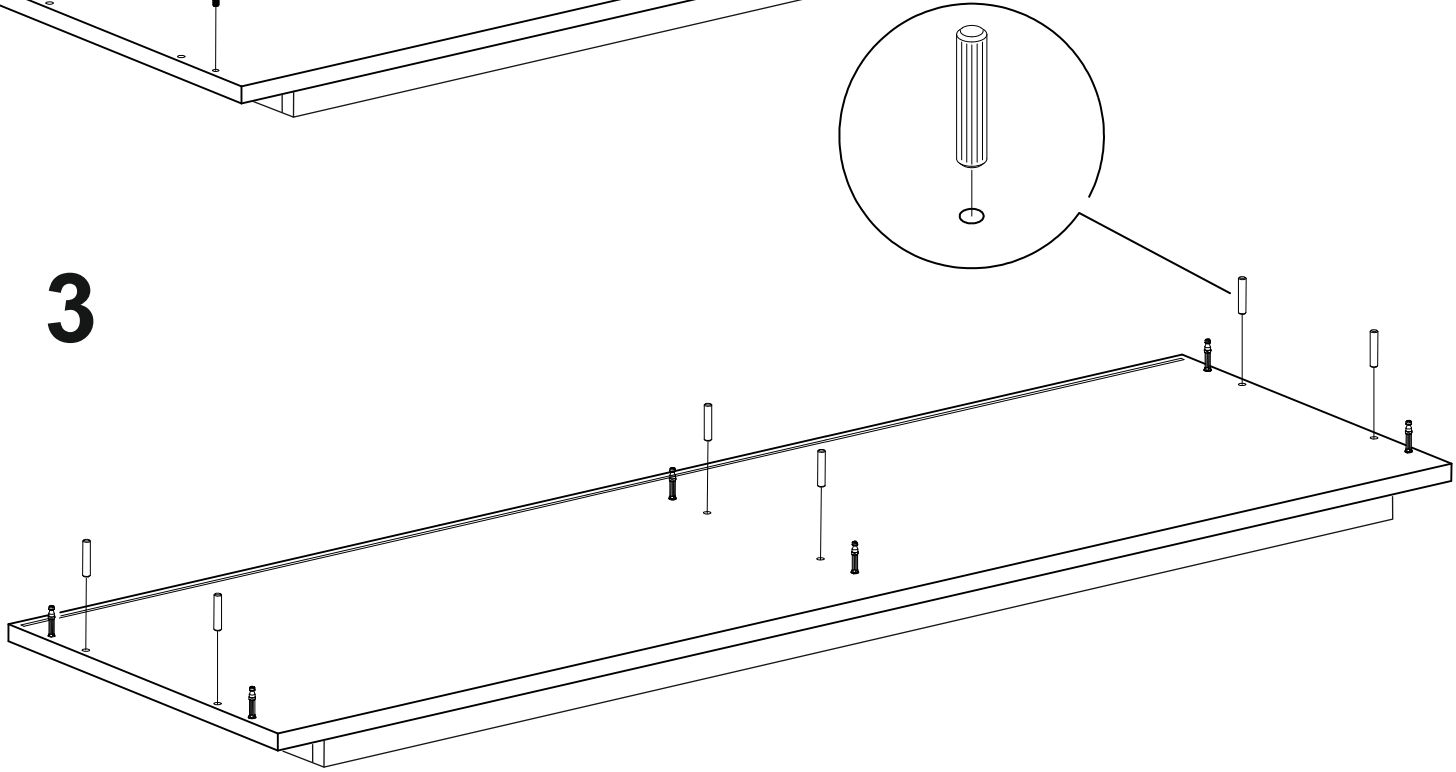


Note! If 2 doors wardrobe, then wider detail (431 x 570mm) will go on right side.

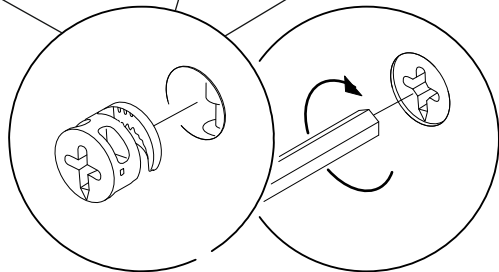
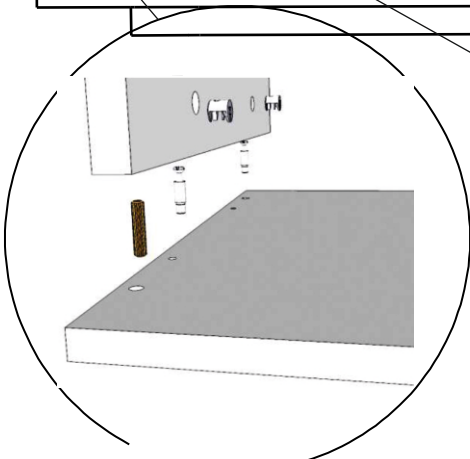
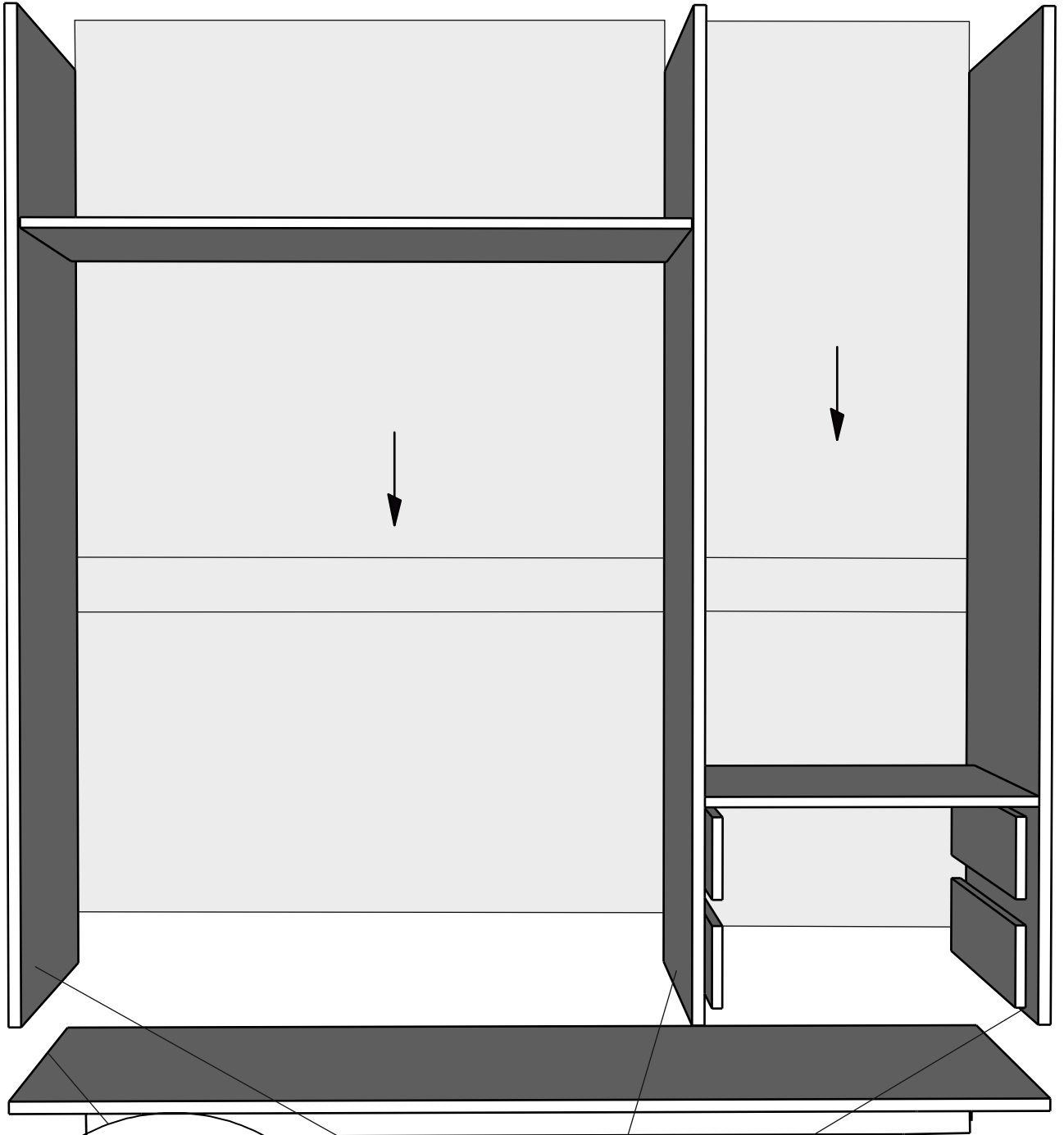
2



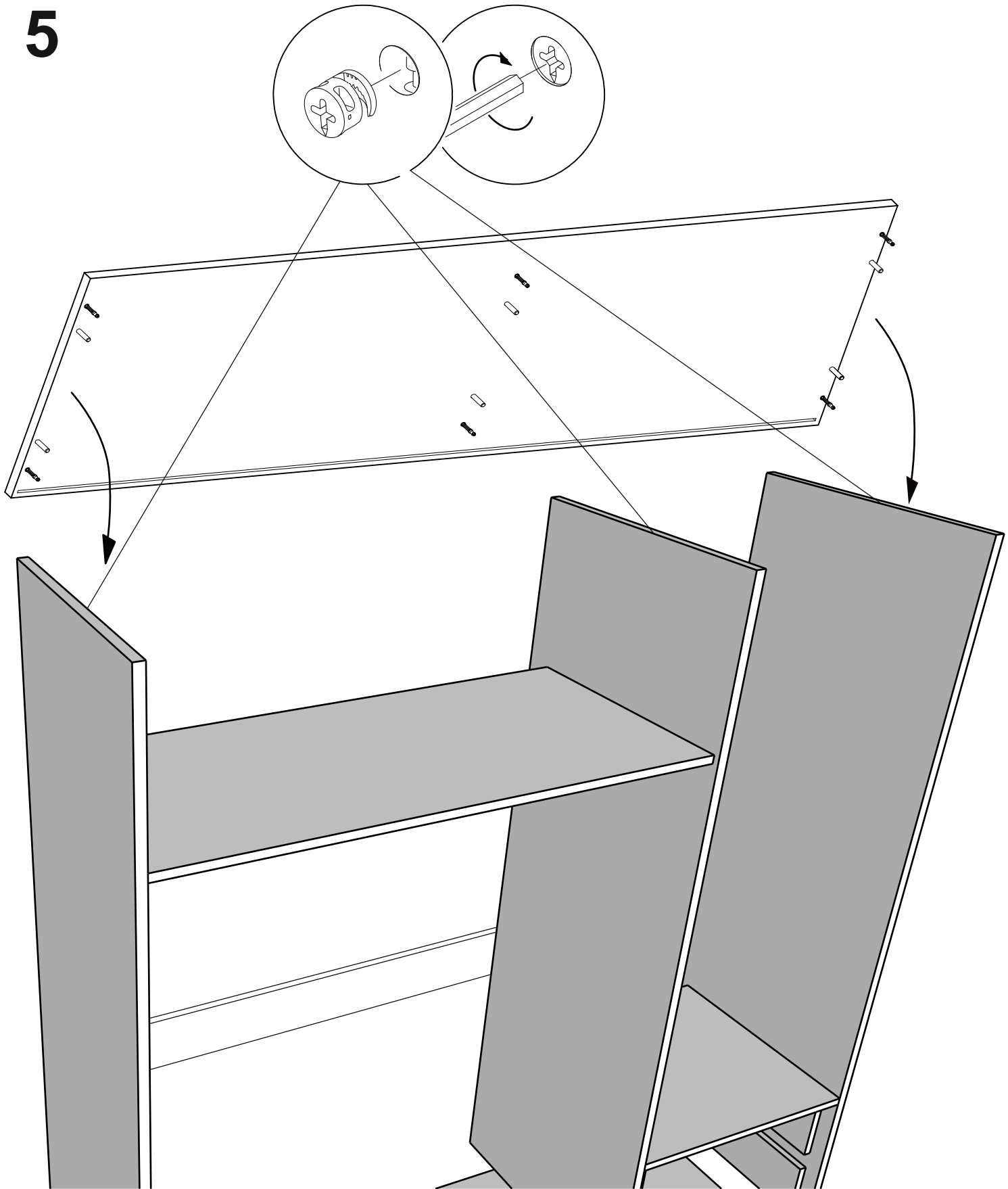
3



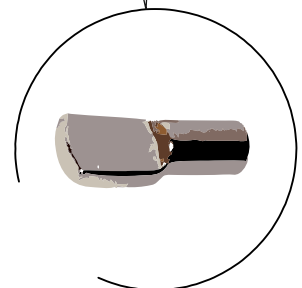
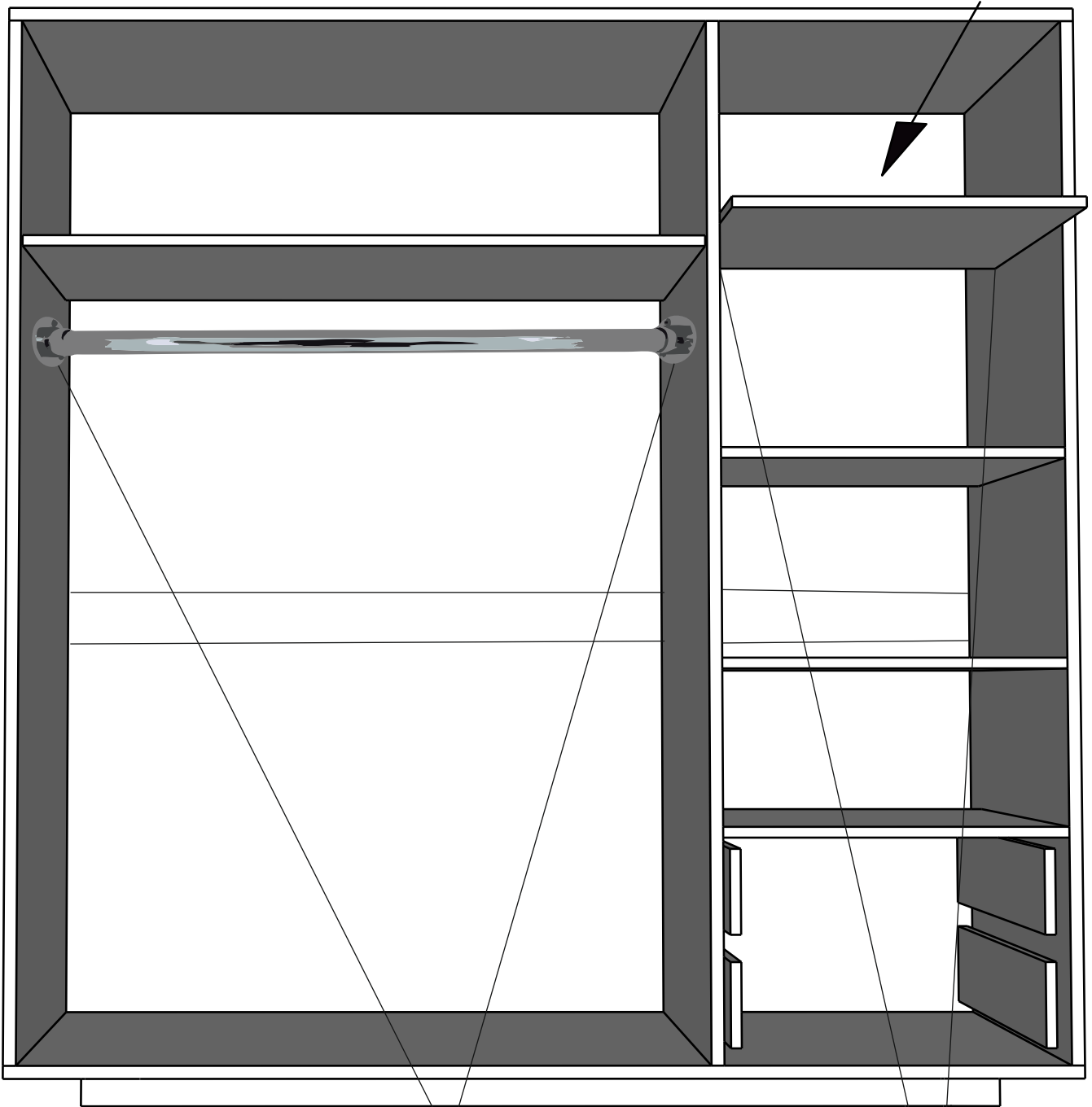
4



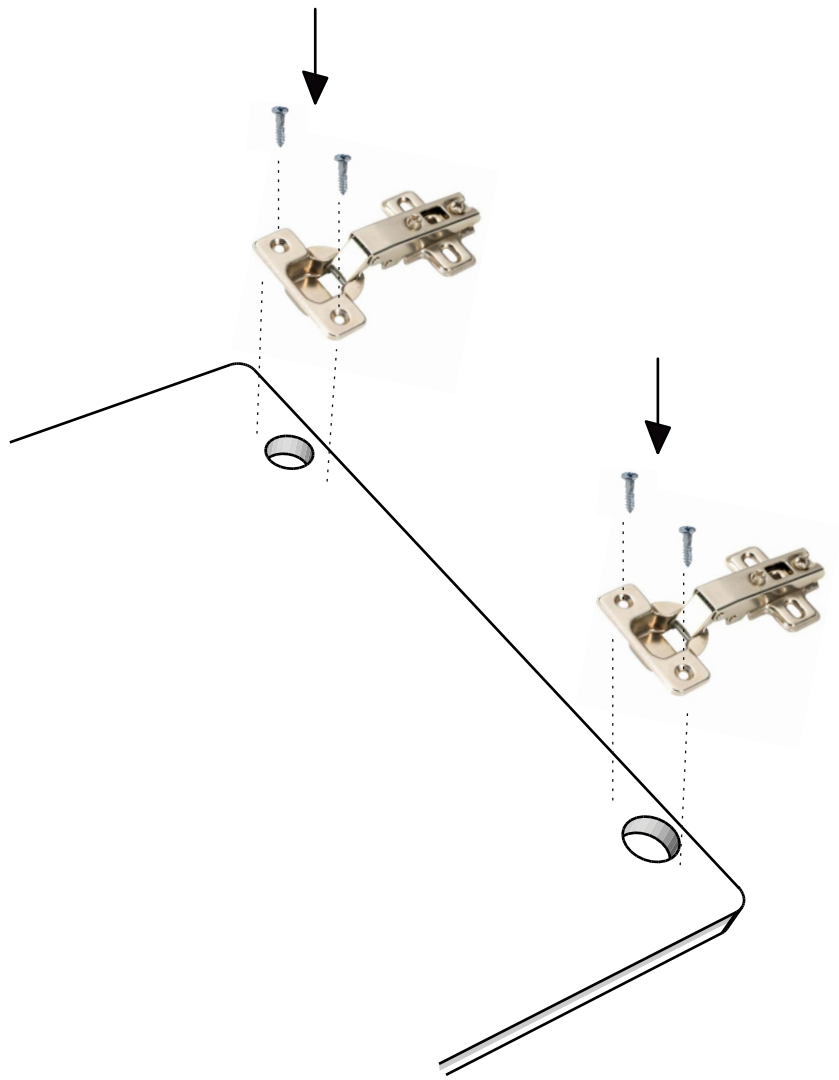
5



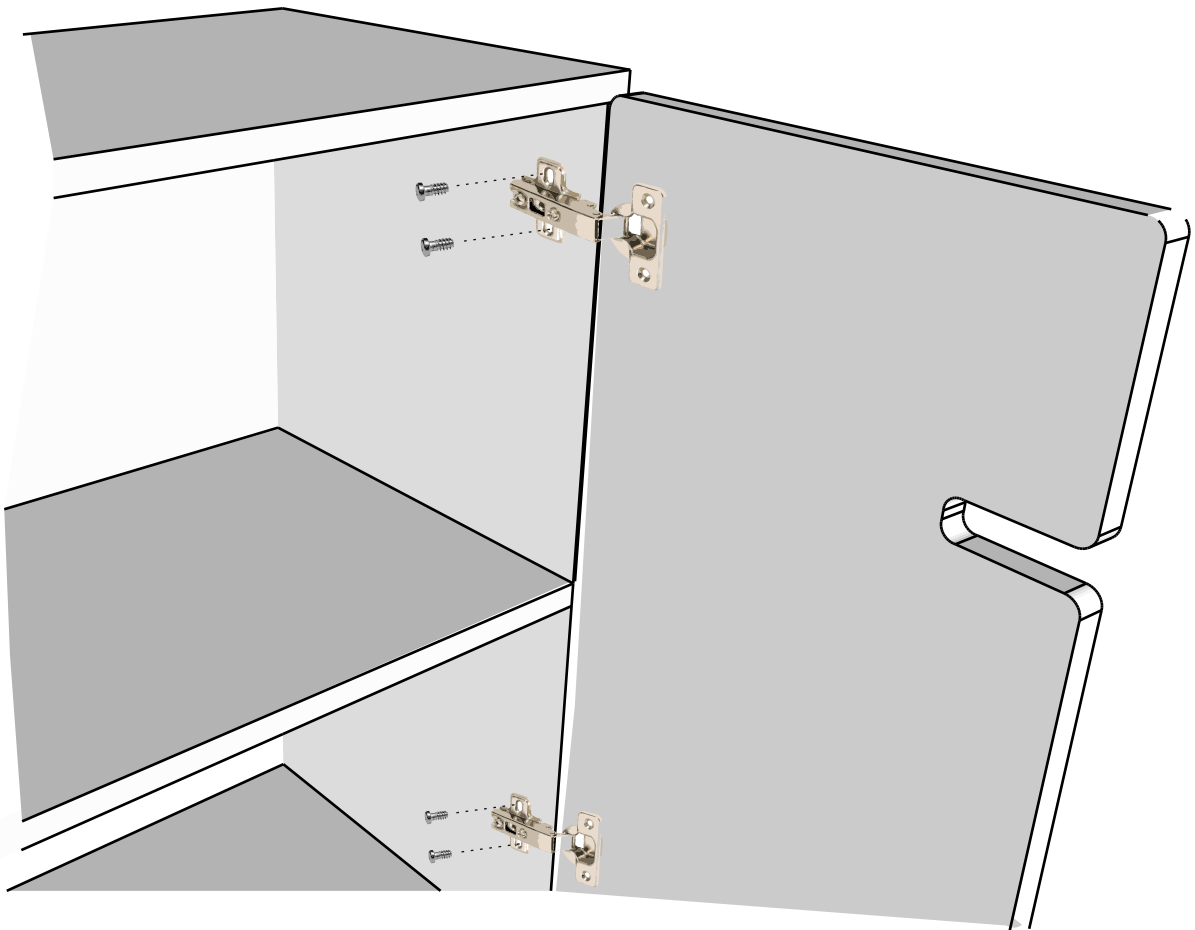
6



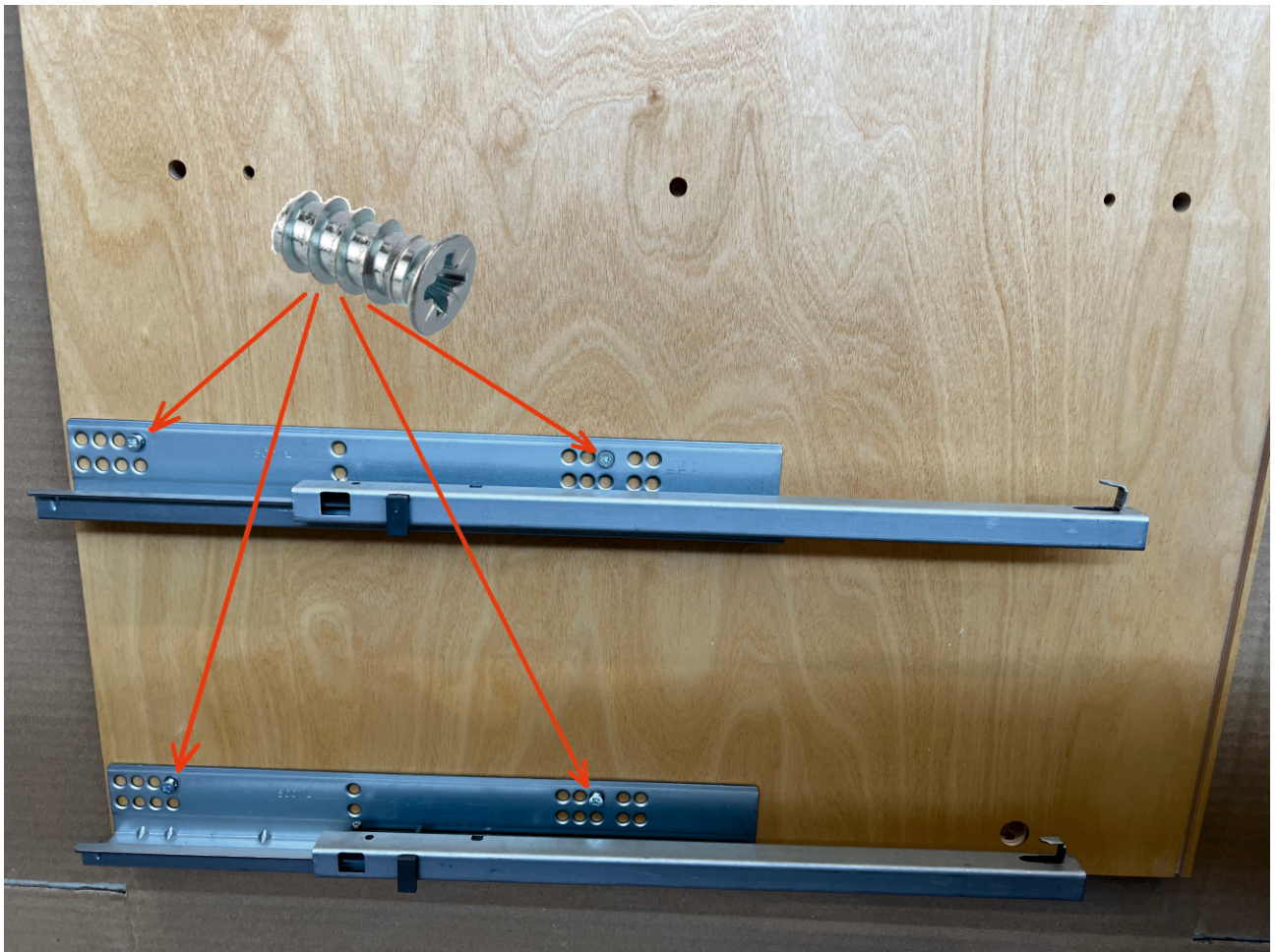
7



8

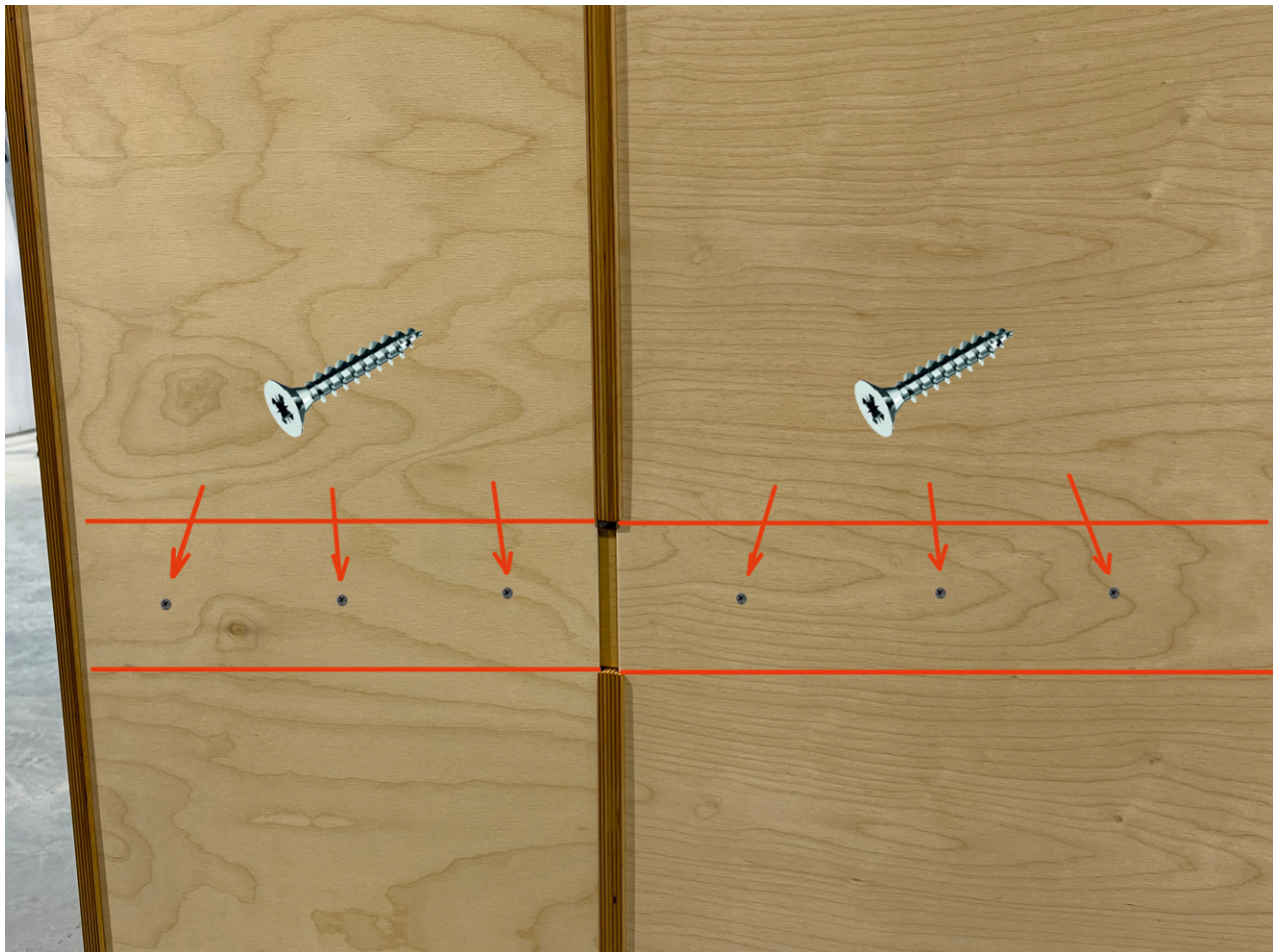


9

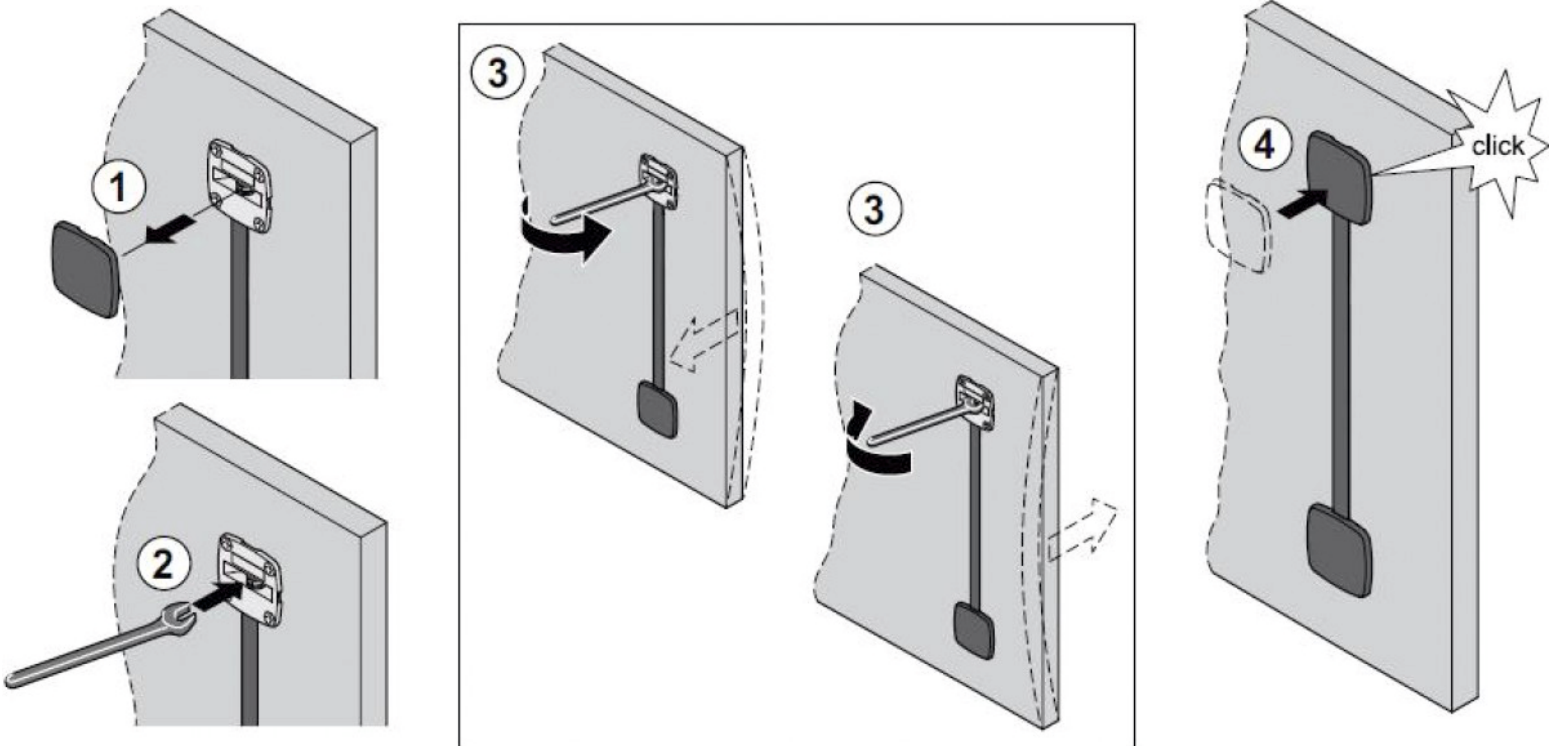


FIX BACKPANELS WITH SCREWS

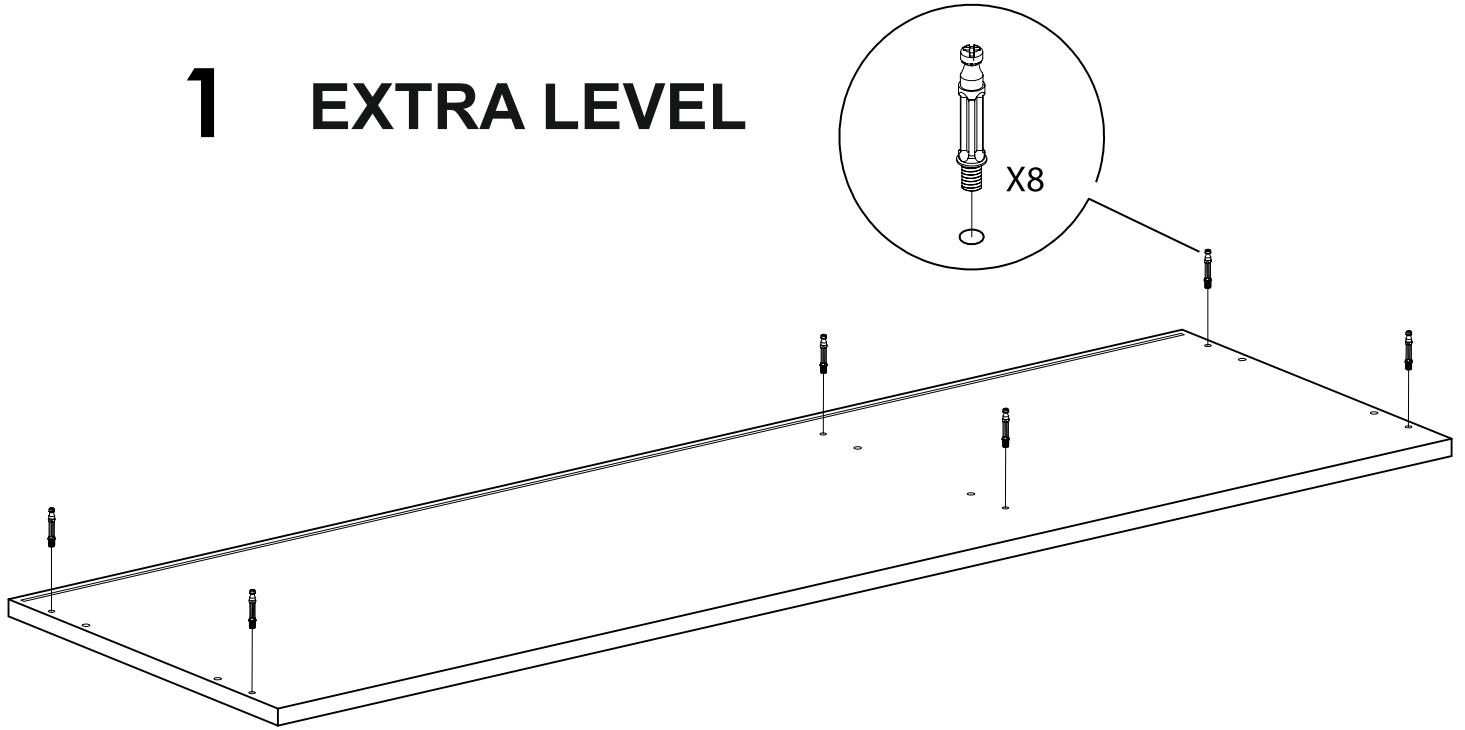
10



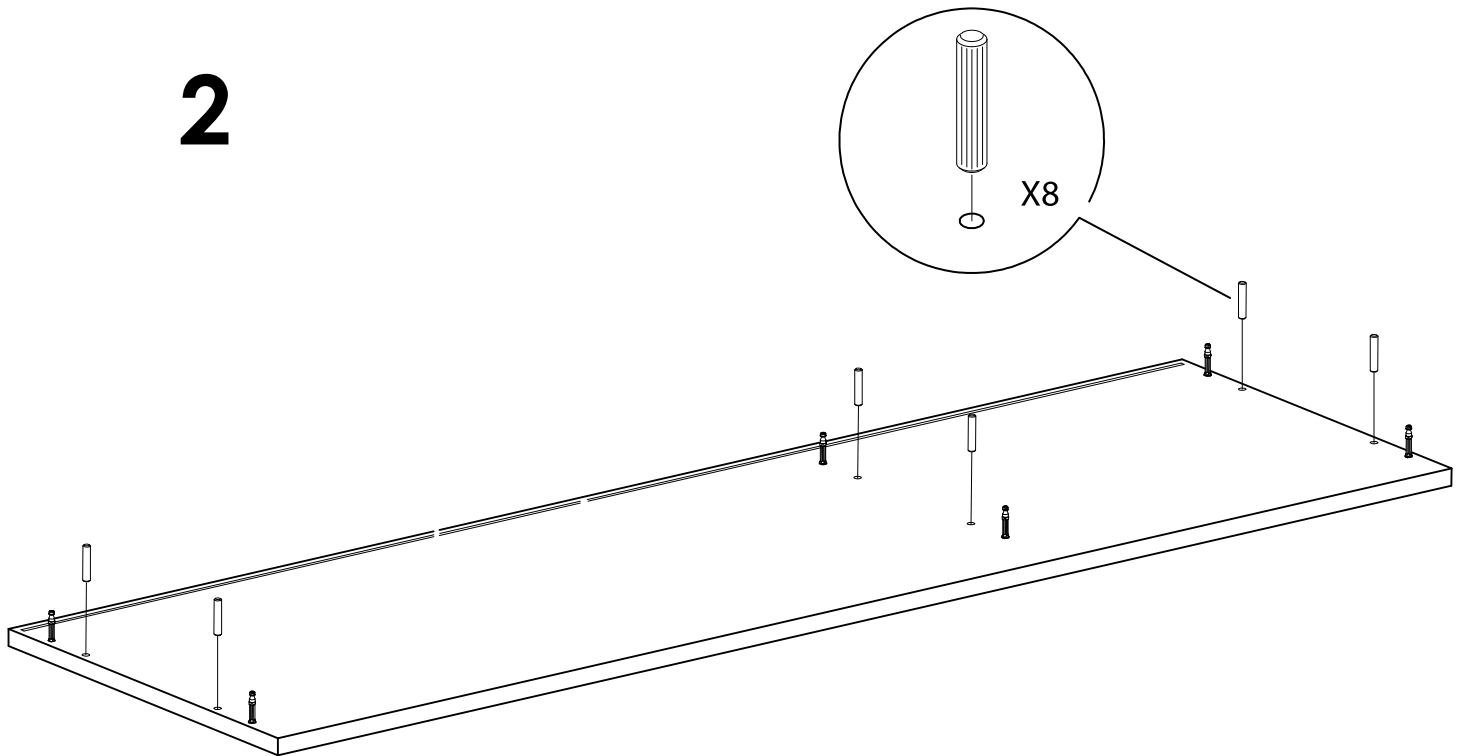
11



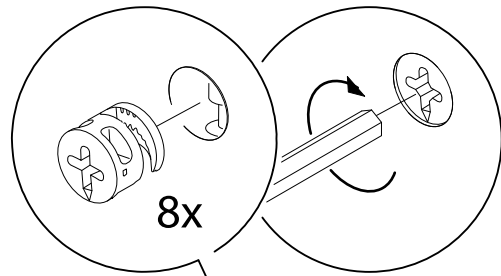
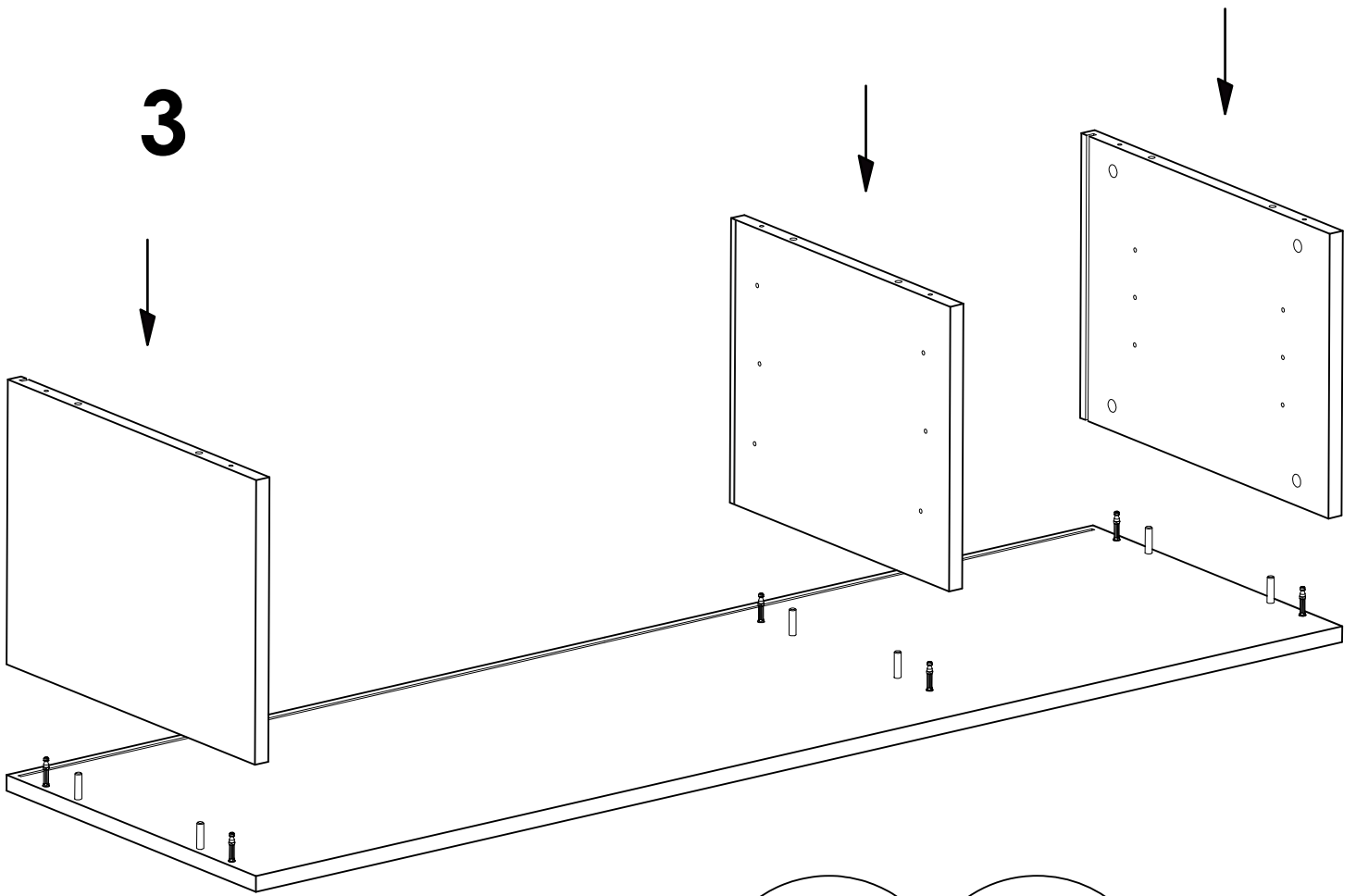
1 EXTRA LEVEL



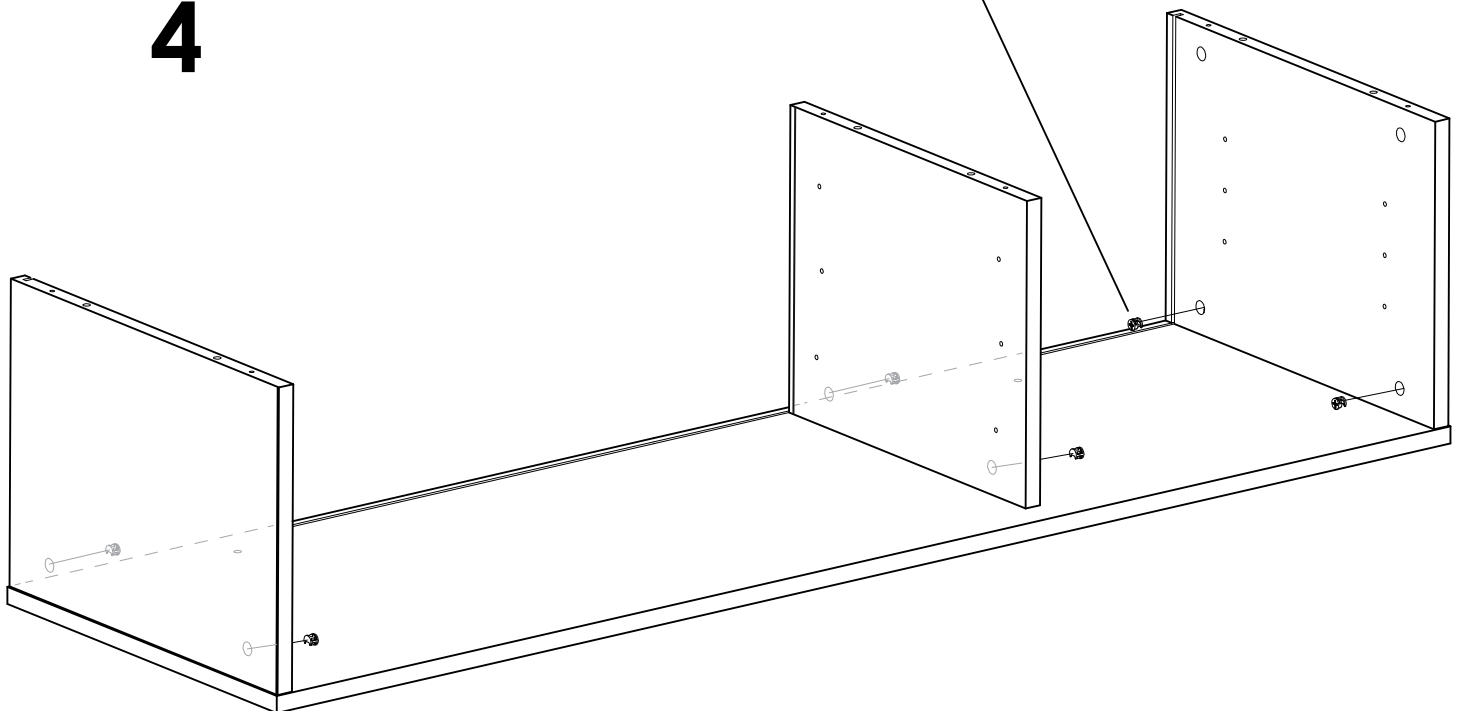
2

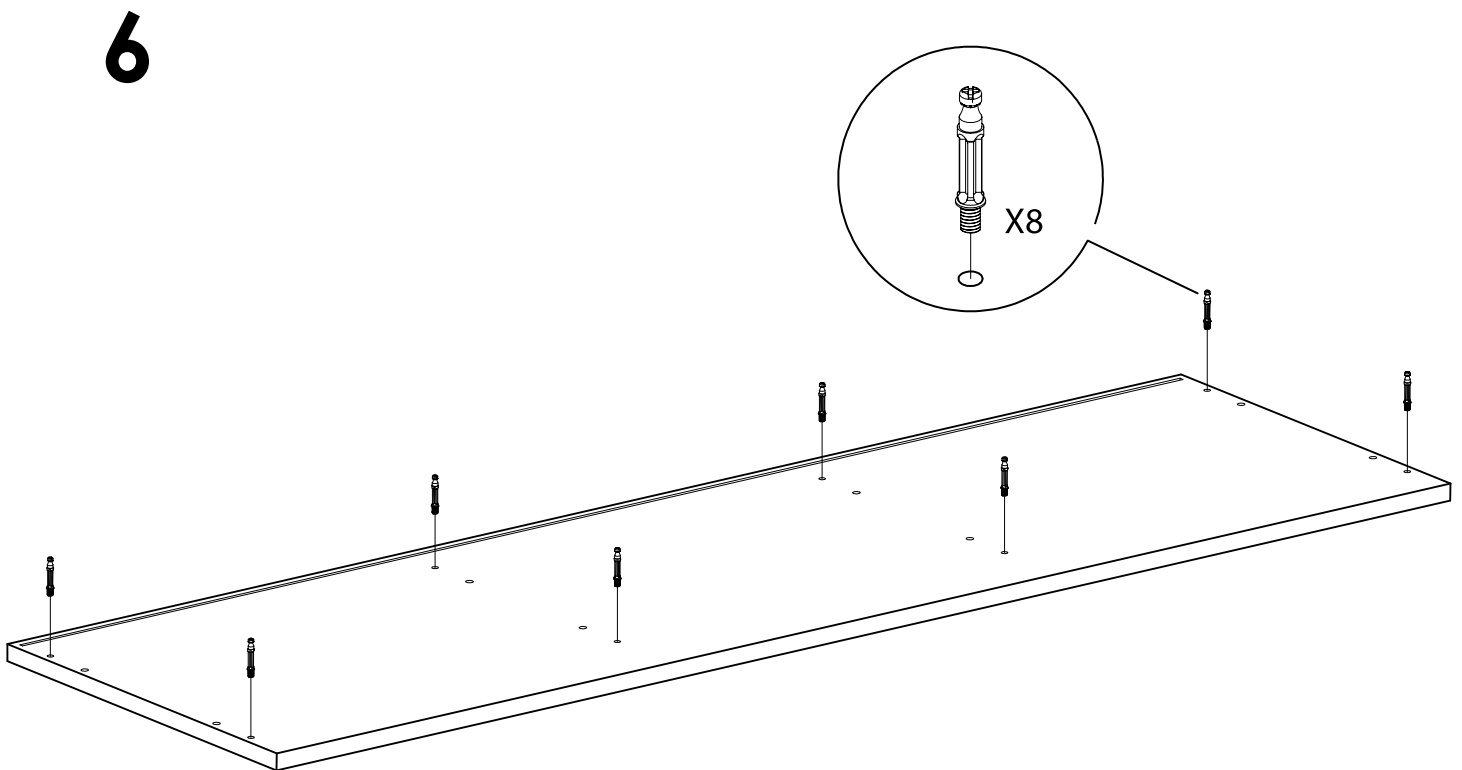
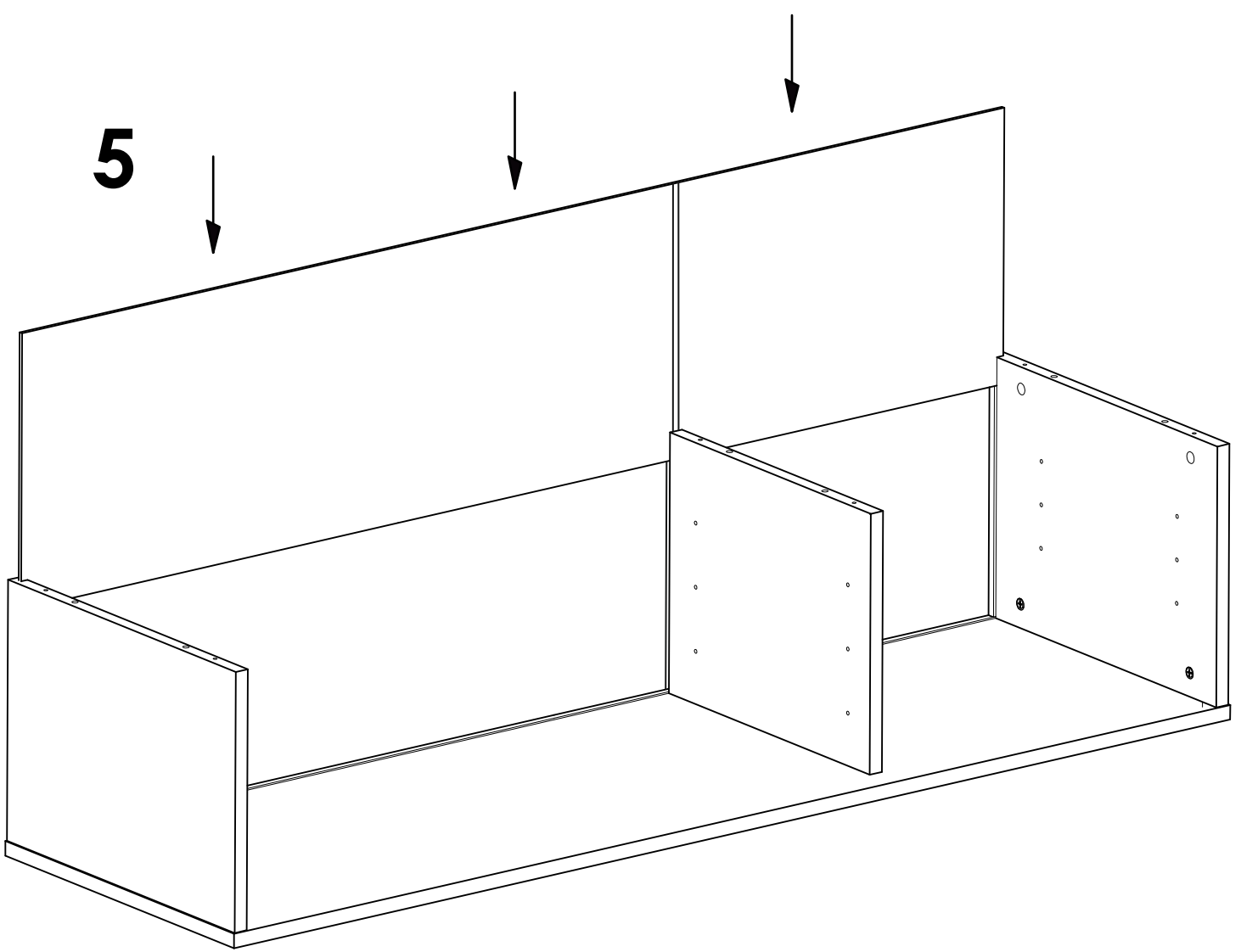


3

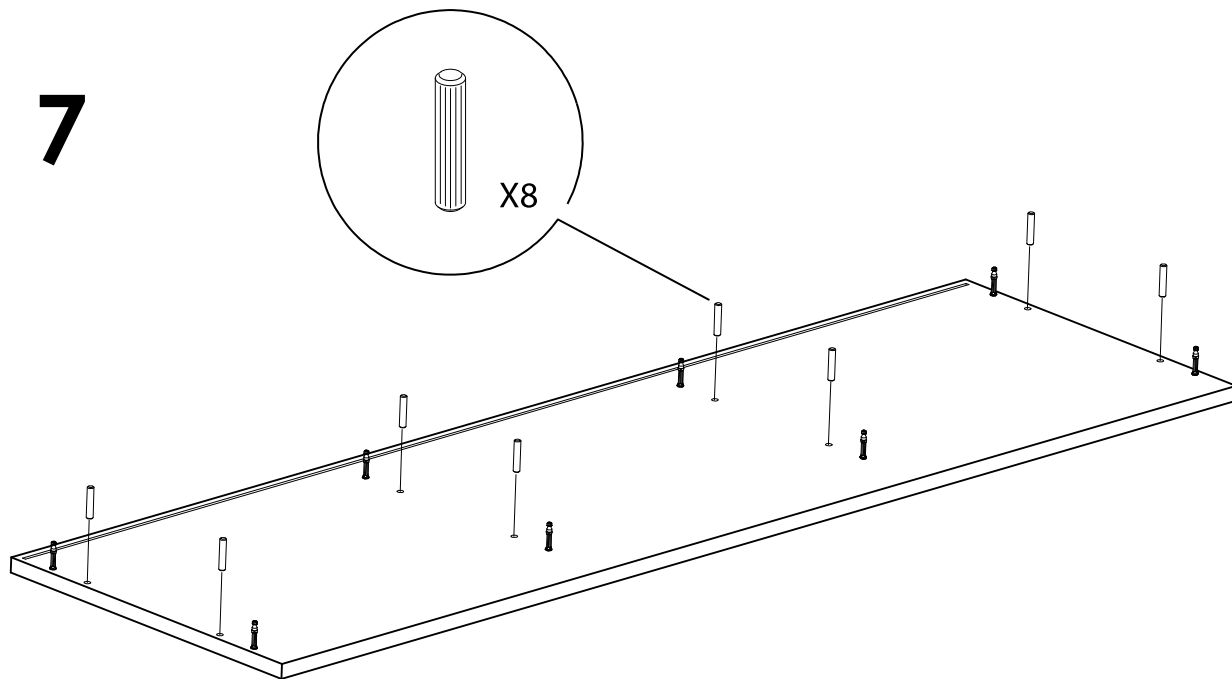


4

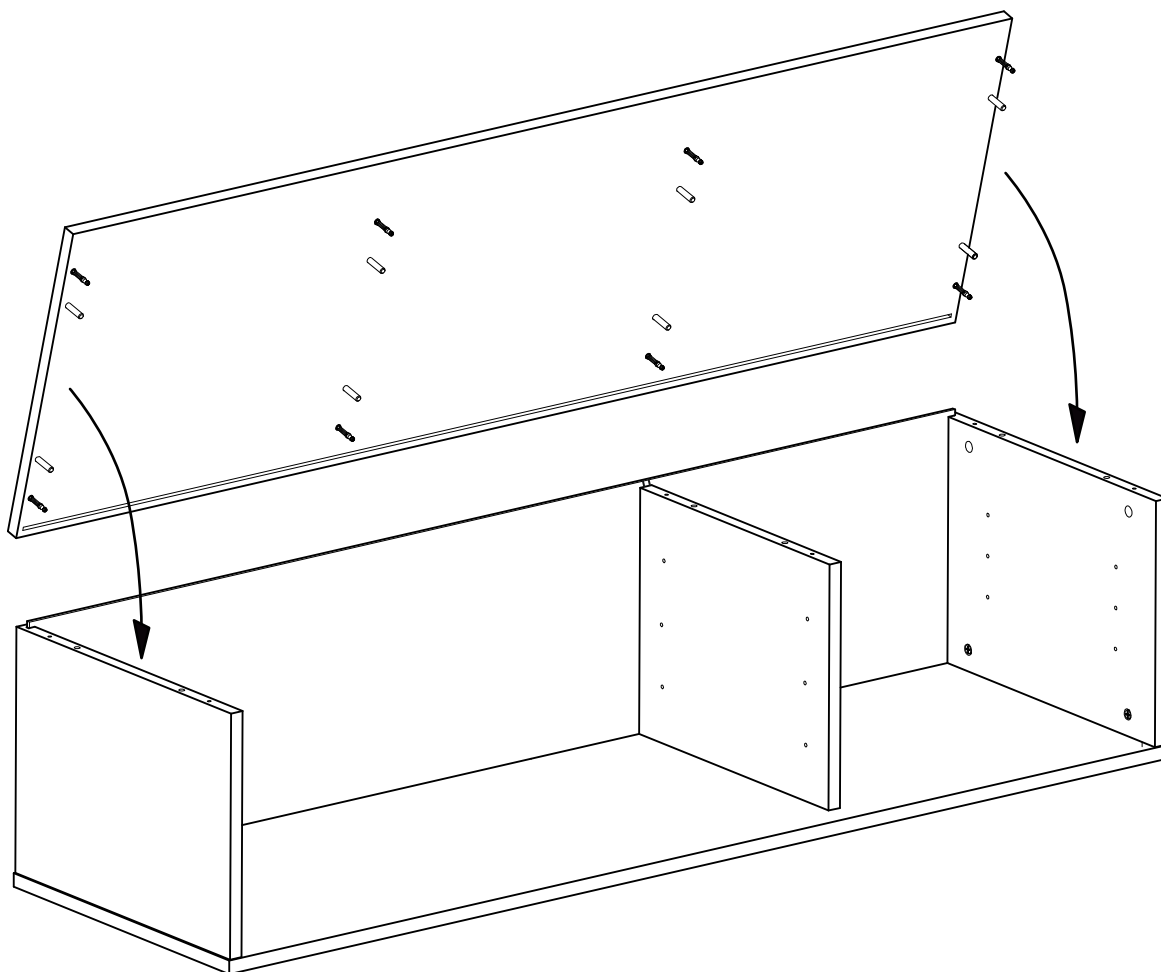




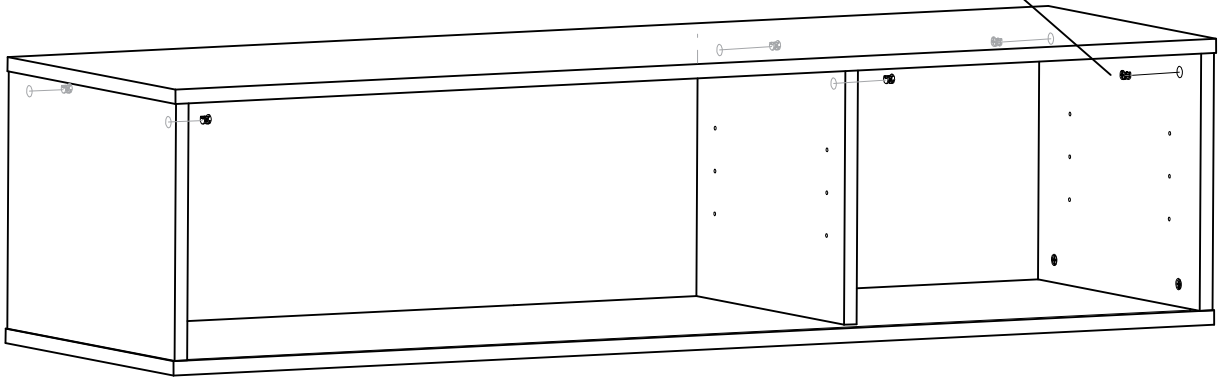
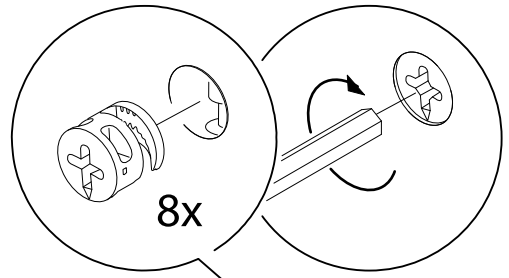
7



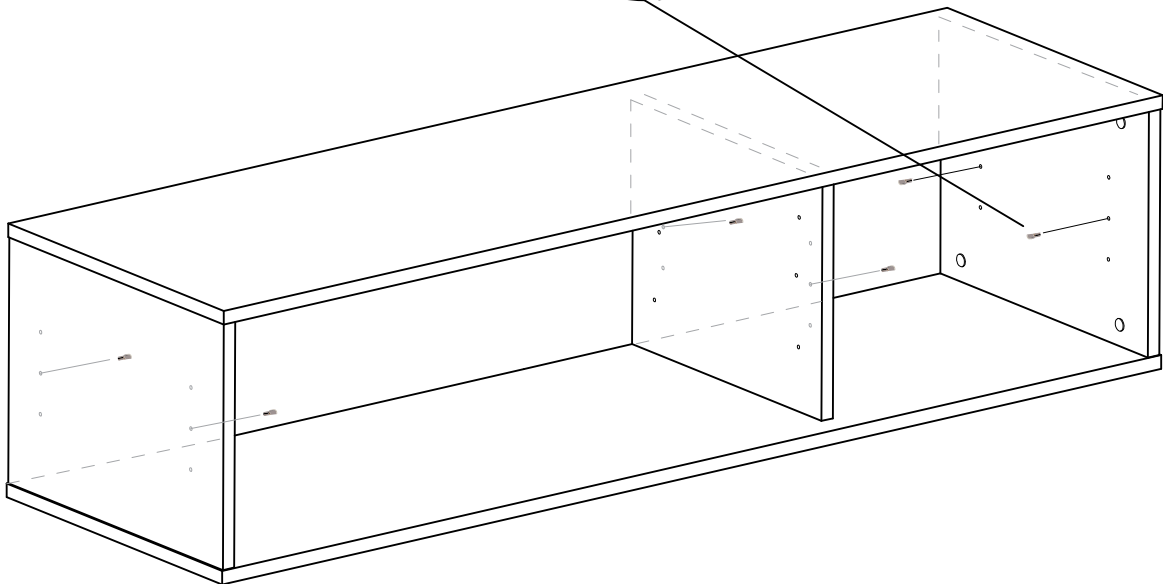
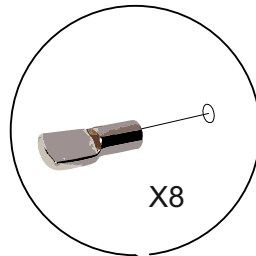
8



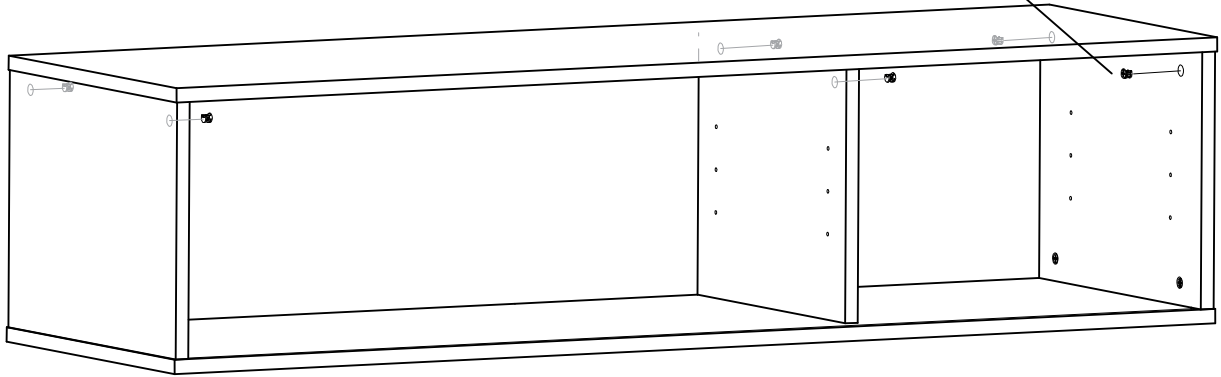
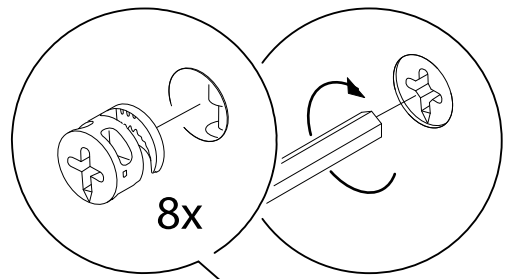
9



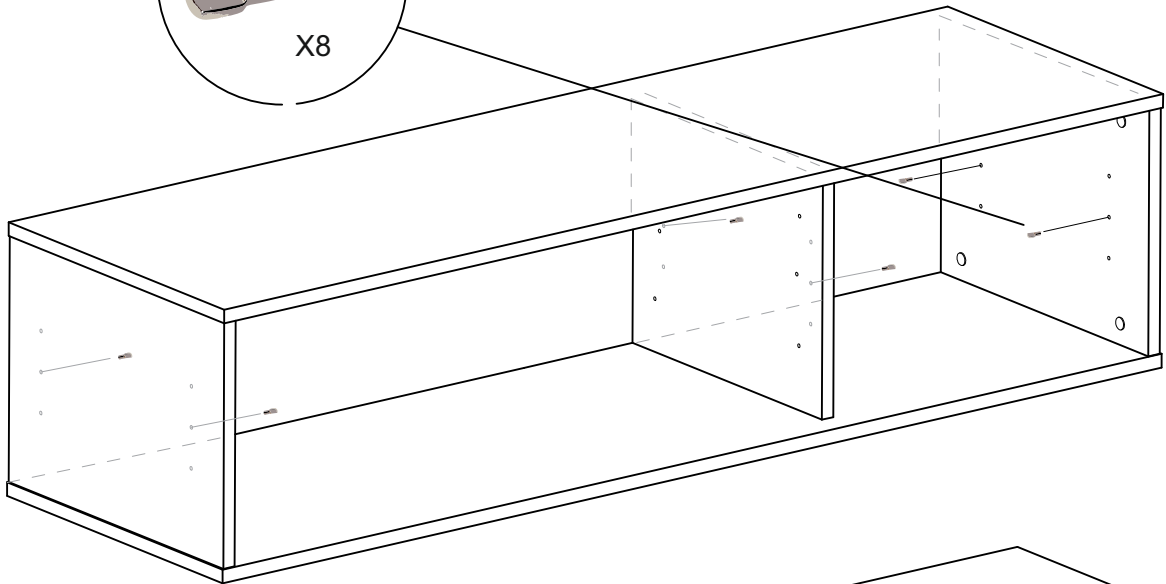
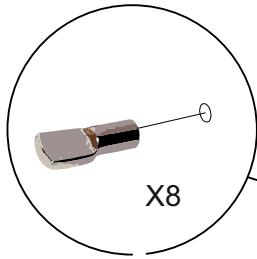
10



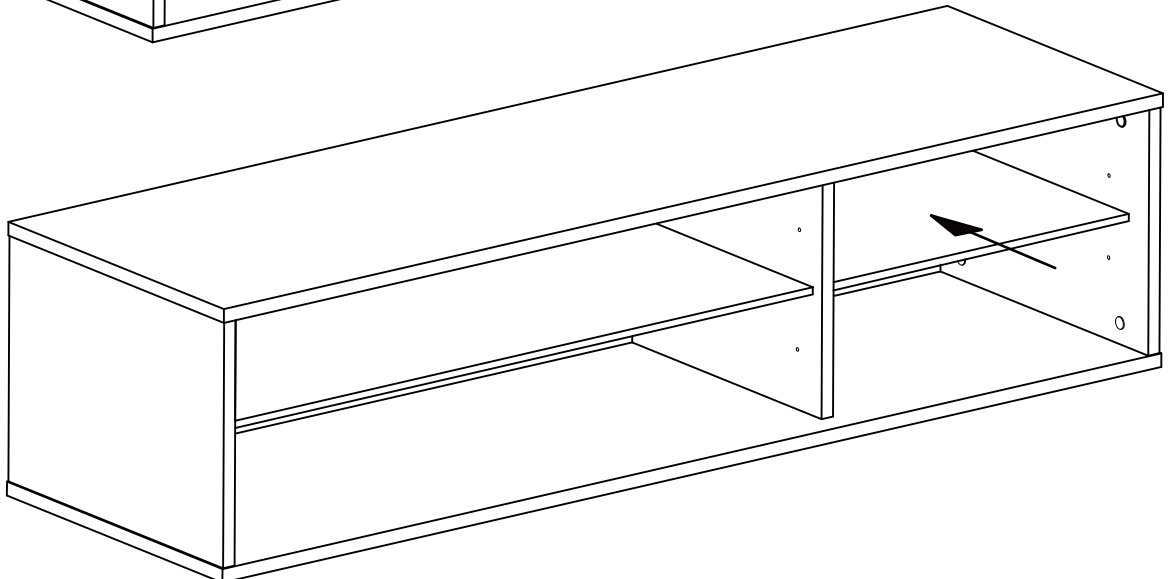
9



10

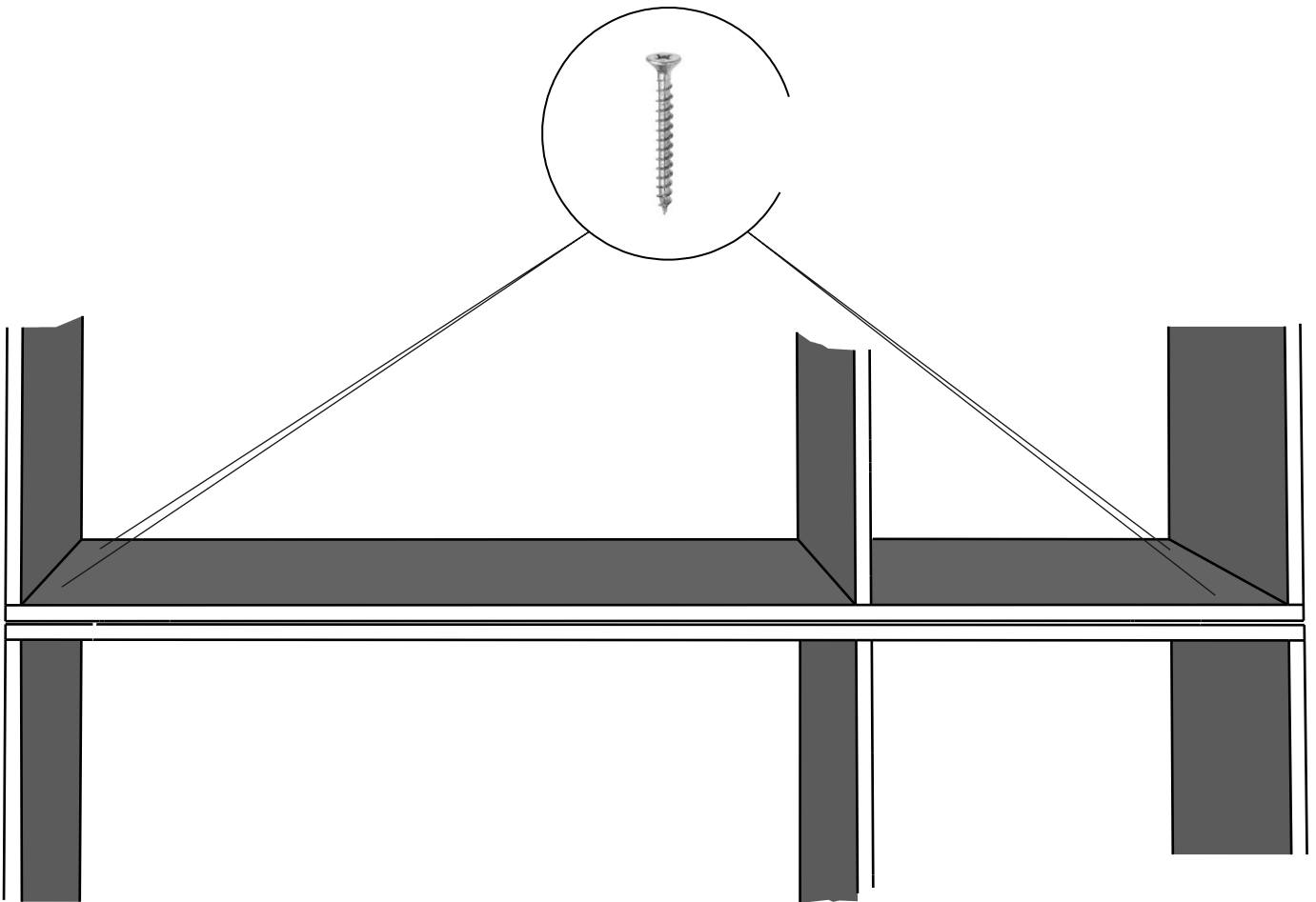


11

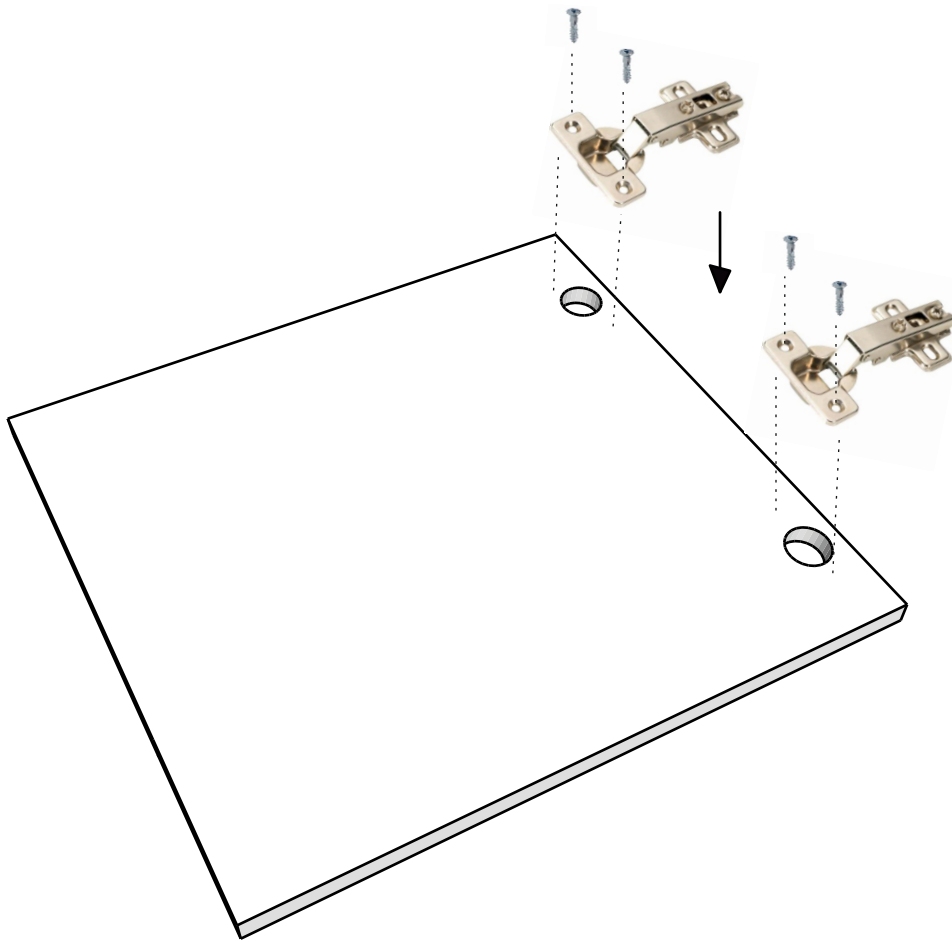


12

FIX EXTRA LEVEL WITH 4X30 SCREWS



13



14

