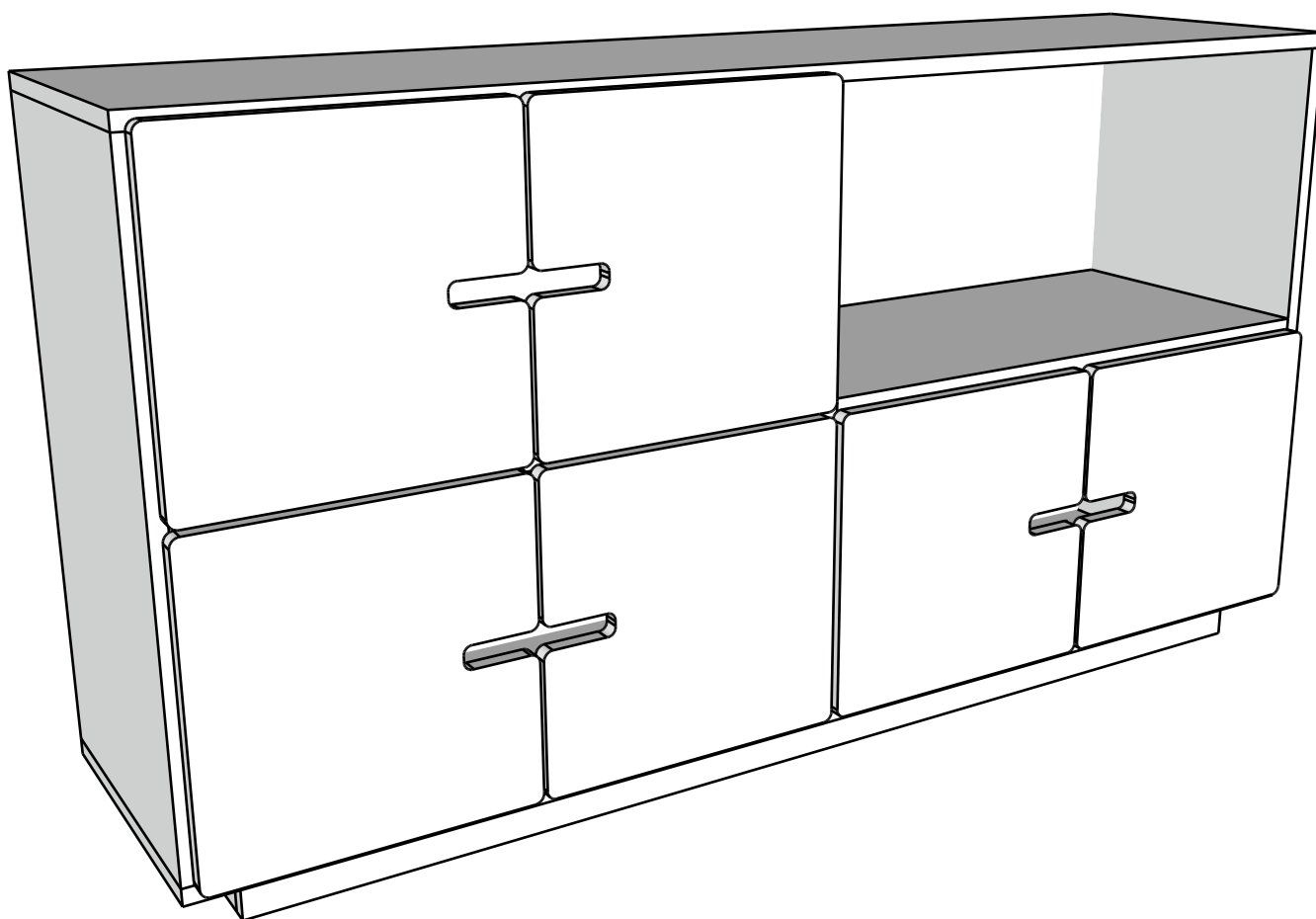


ASSEMBLY INSTRUCTION

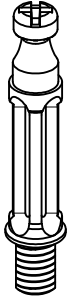
SIDEBOARD PIX 2X4



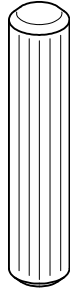
radis

Nordic Elegance

WWW.RADIS.EE



X12



X12



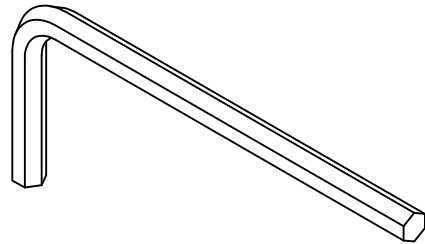
X8



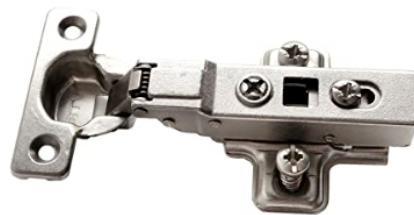
X12



X6

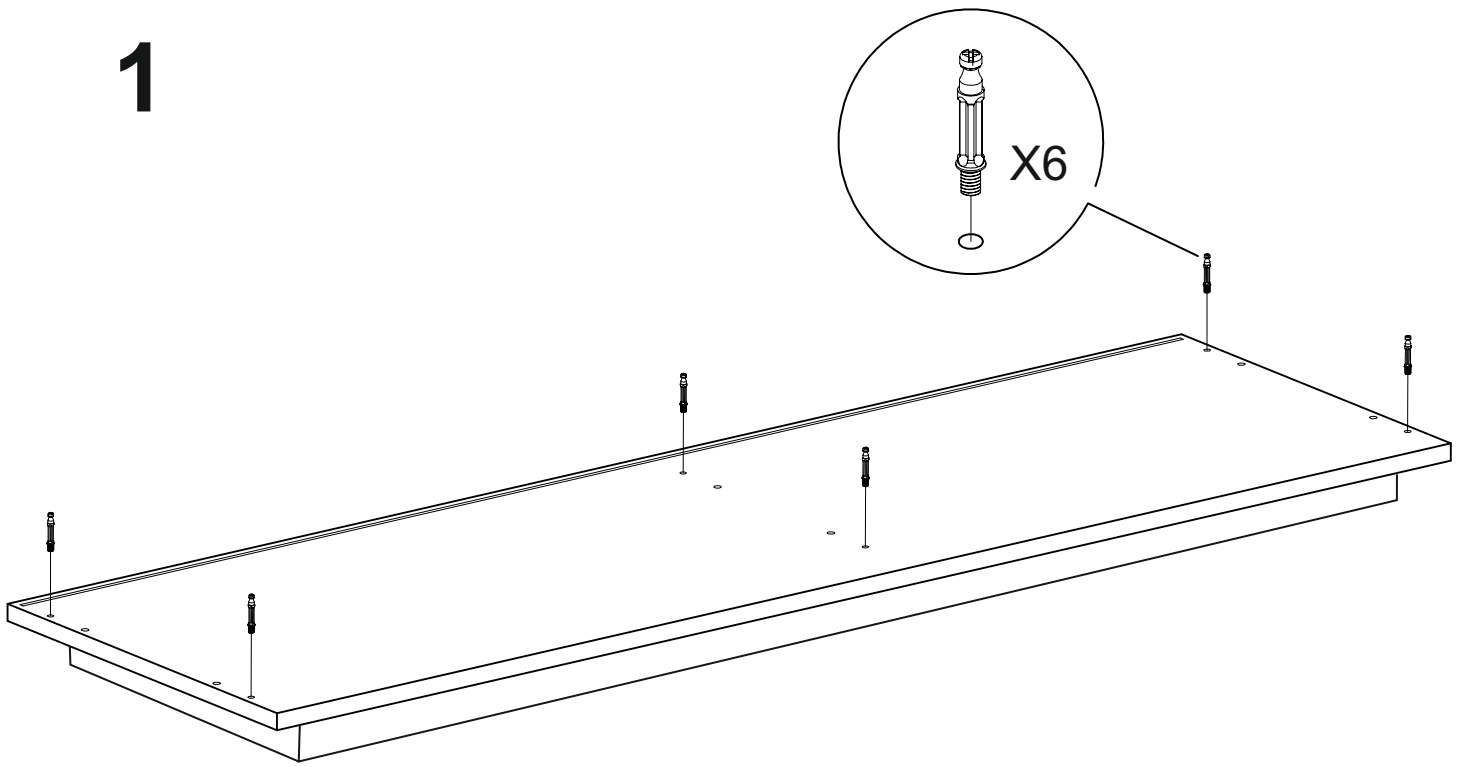


X1

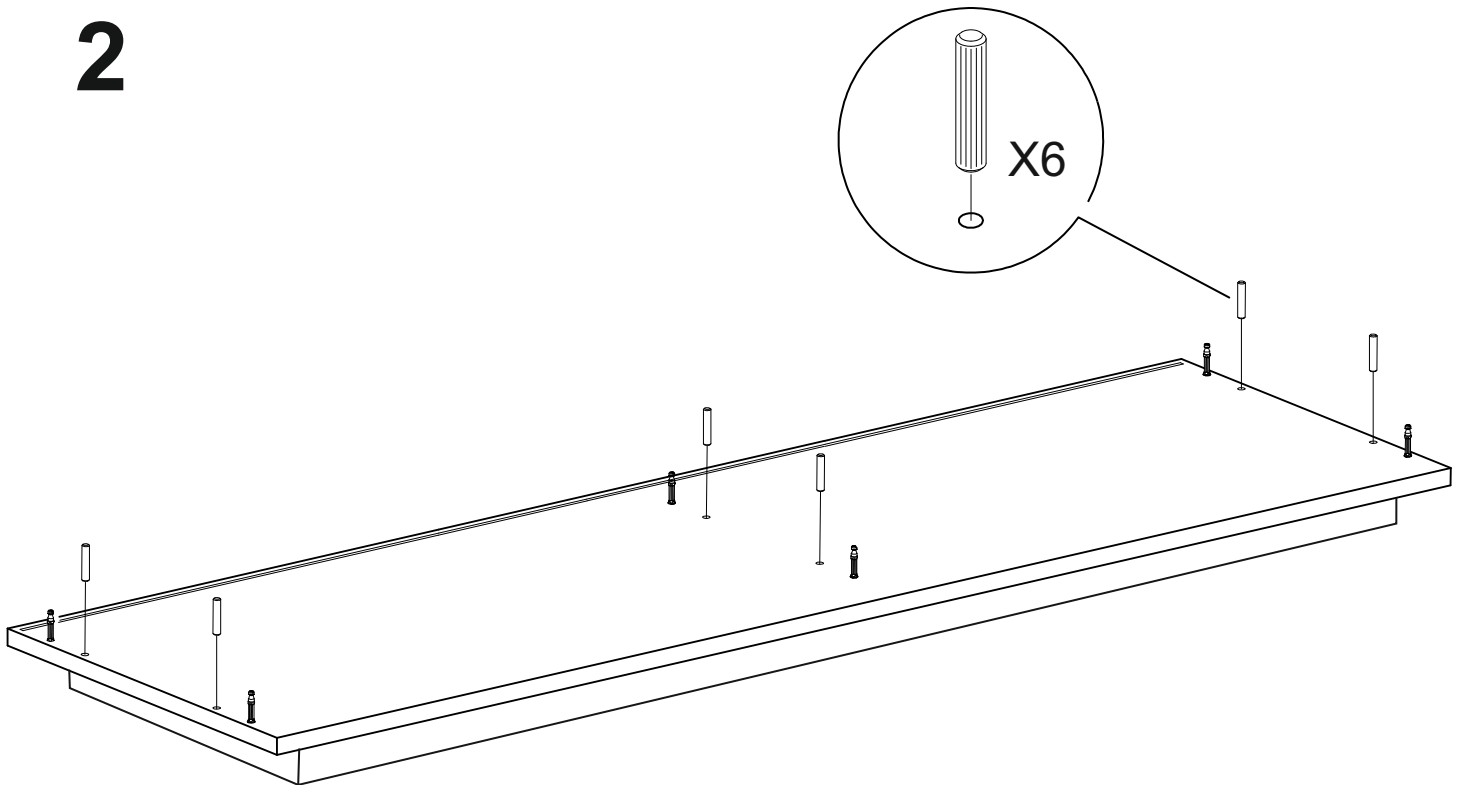


FOR CENTER DOORS X6

1

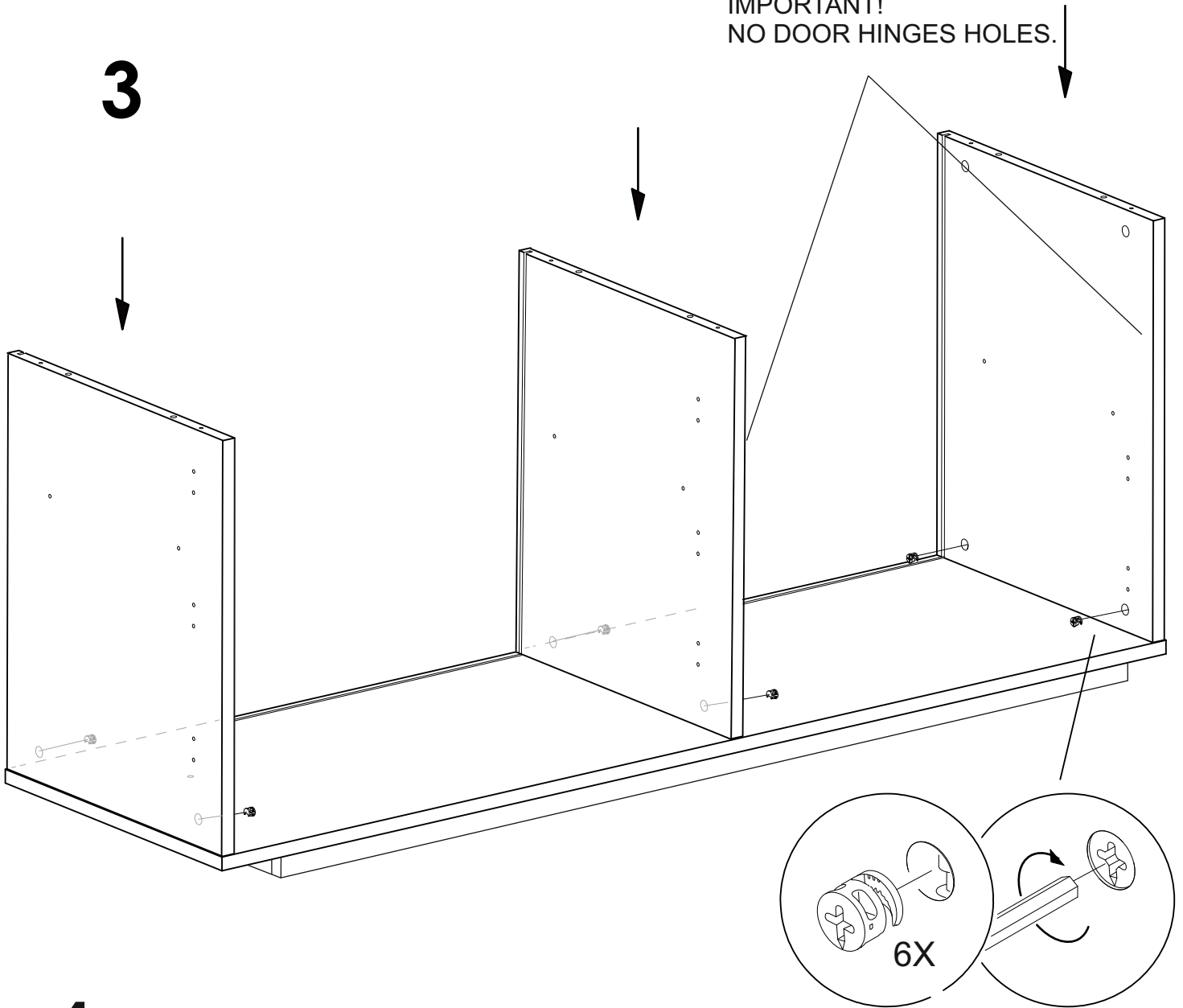


2

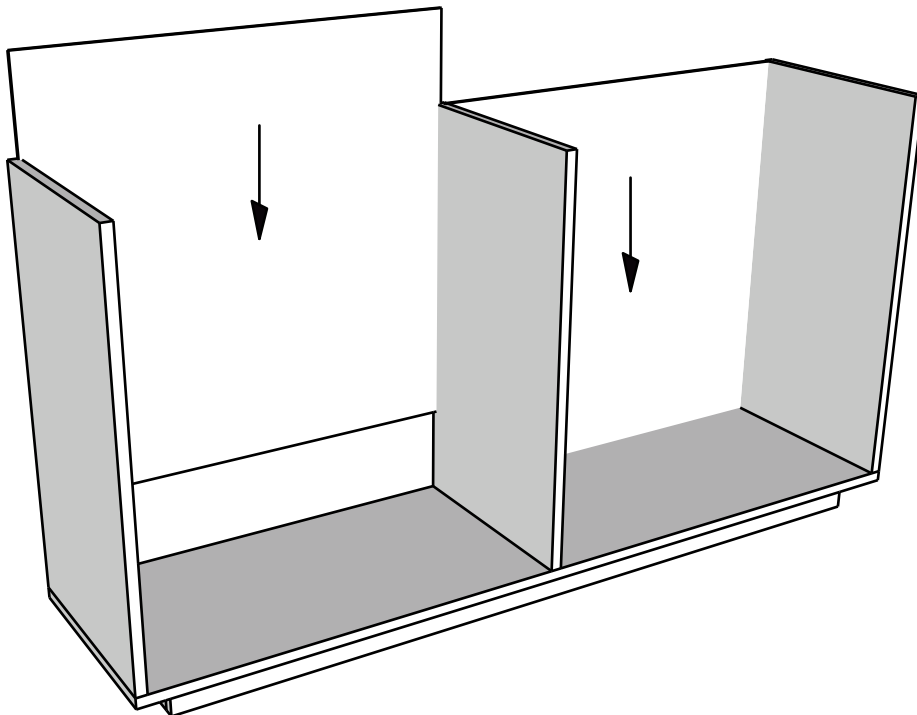


IMPORTANT!
NO DOOR HINGES HOLES.

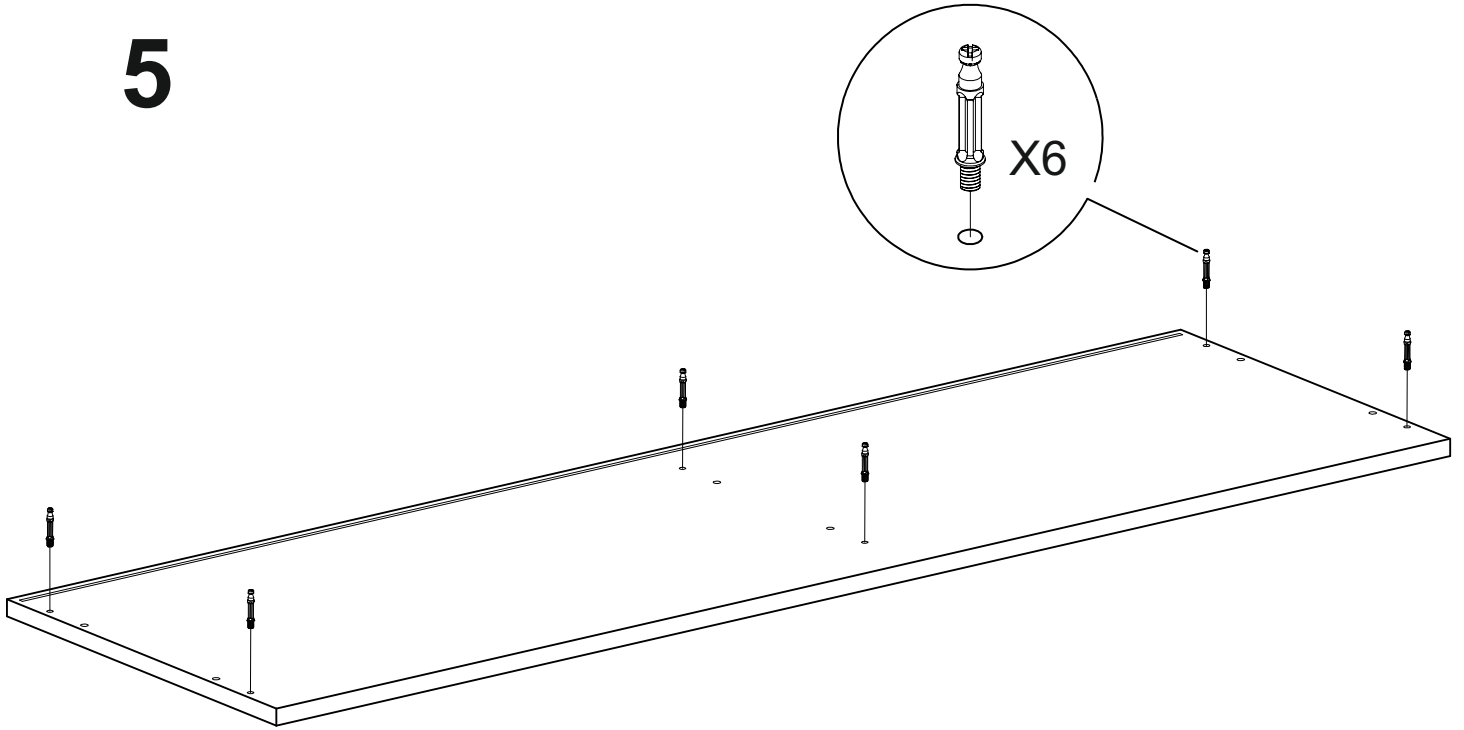
3



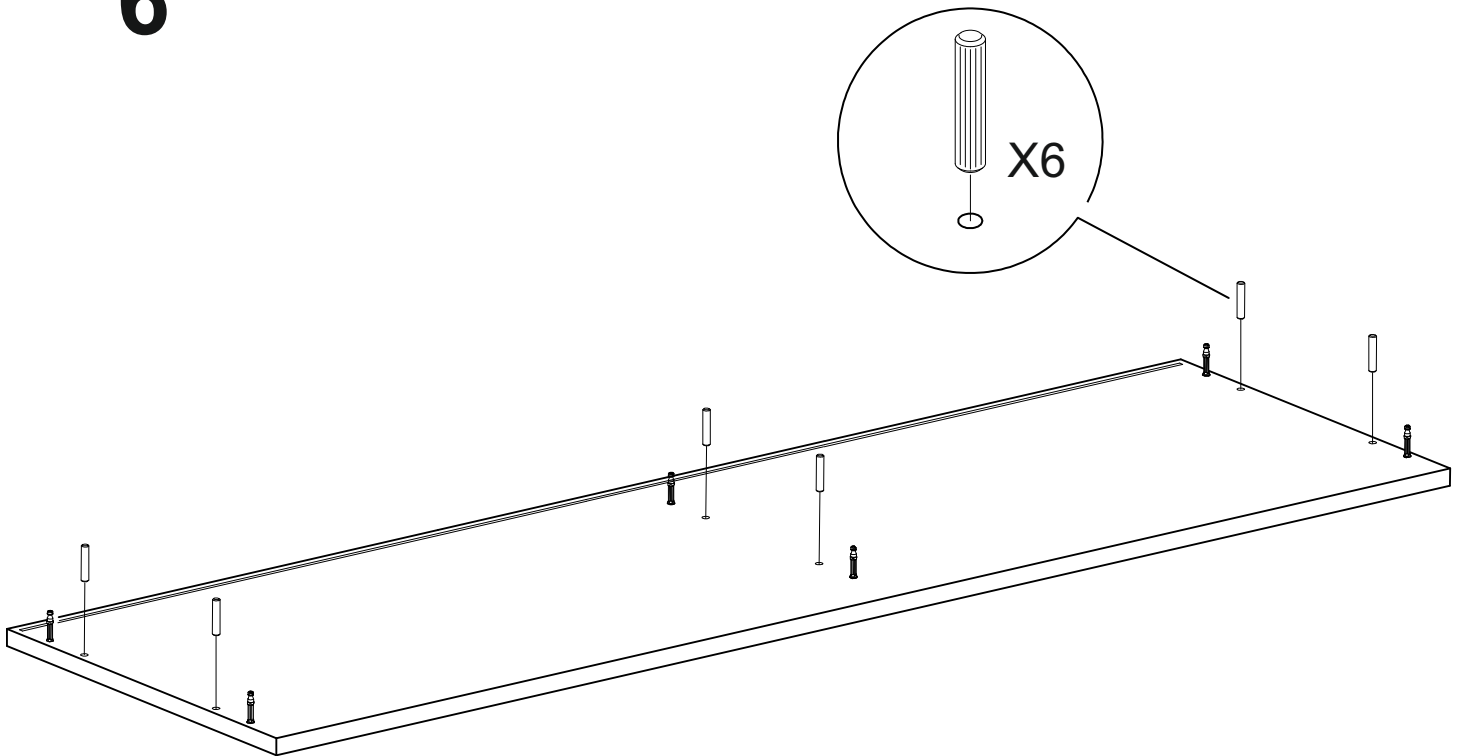
4



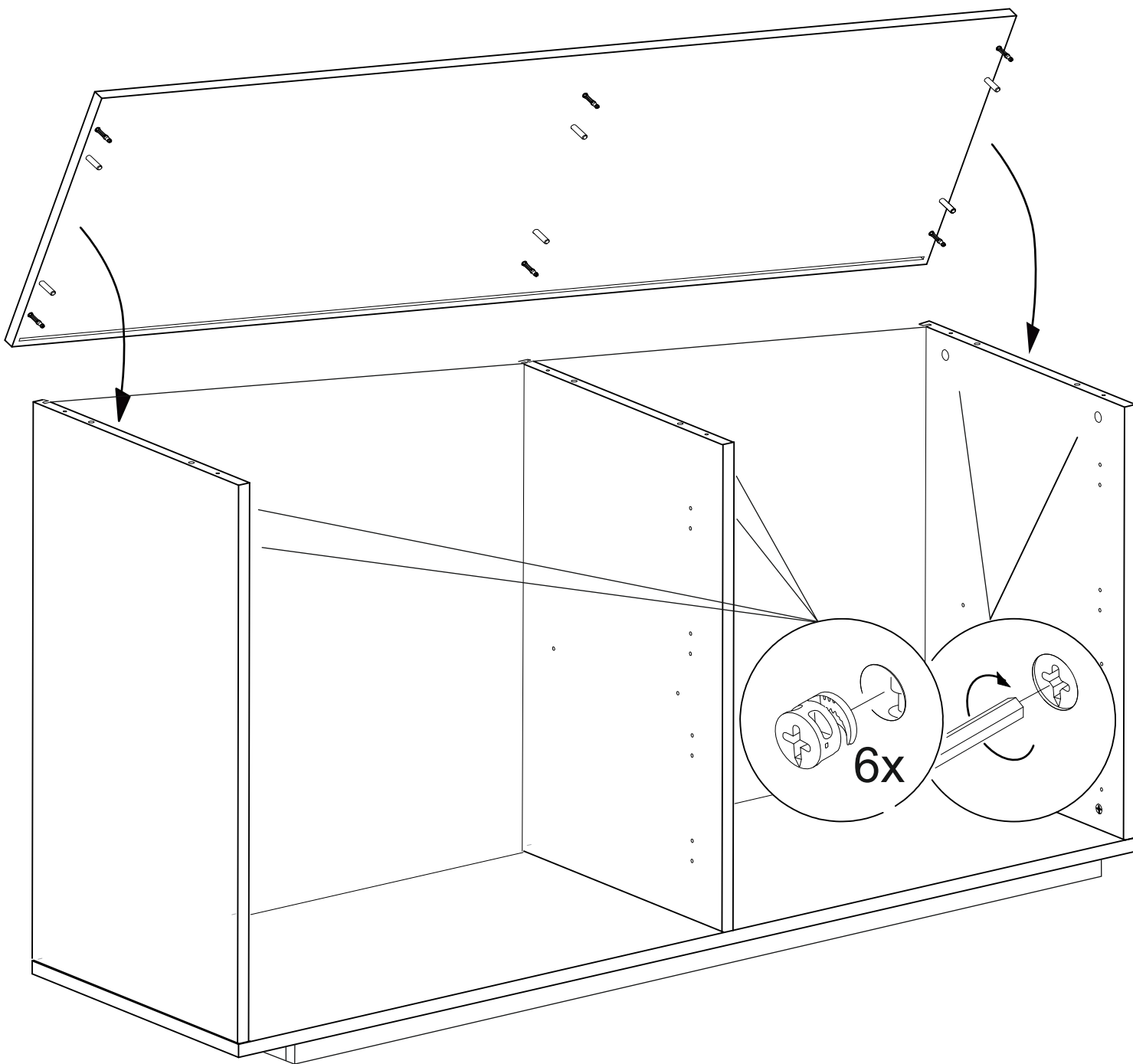
5



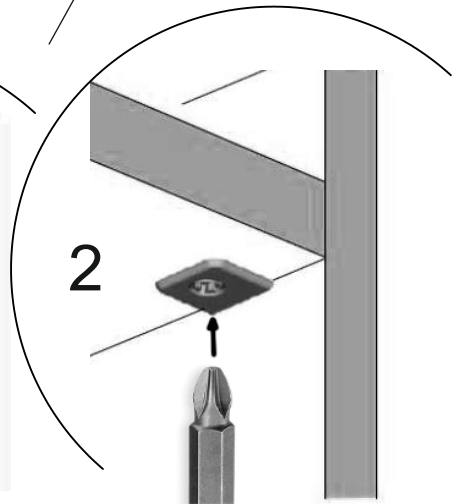
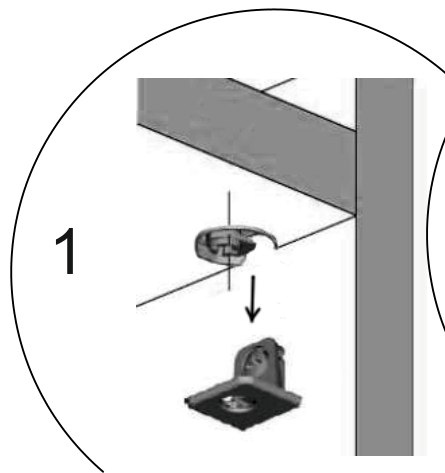
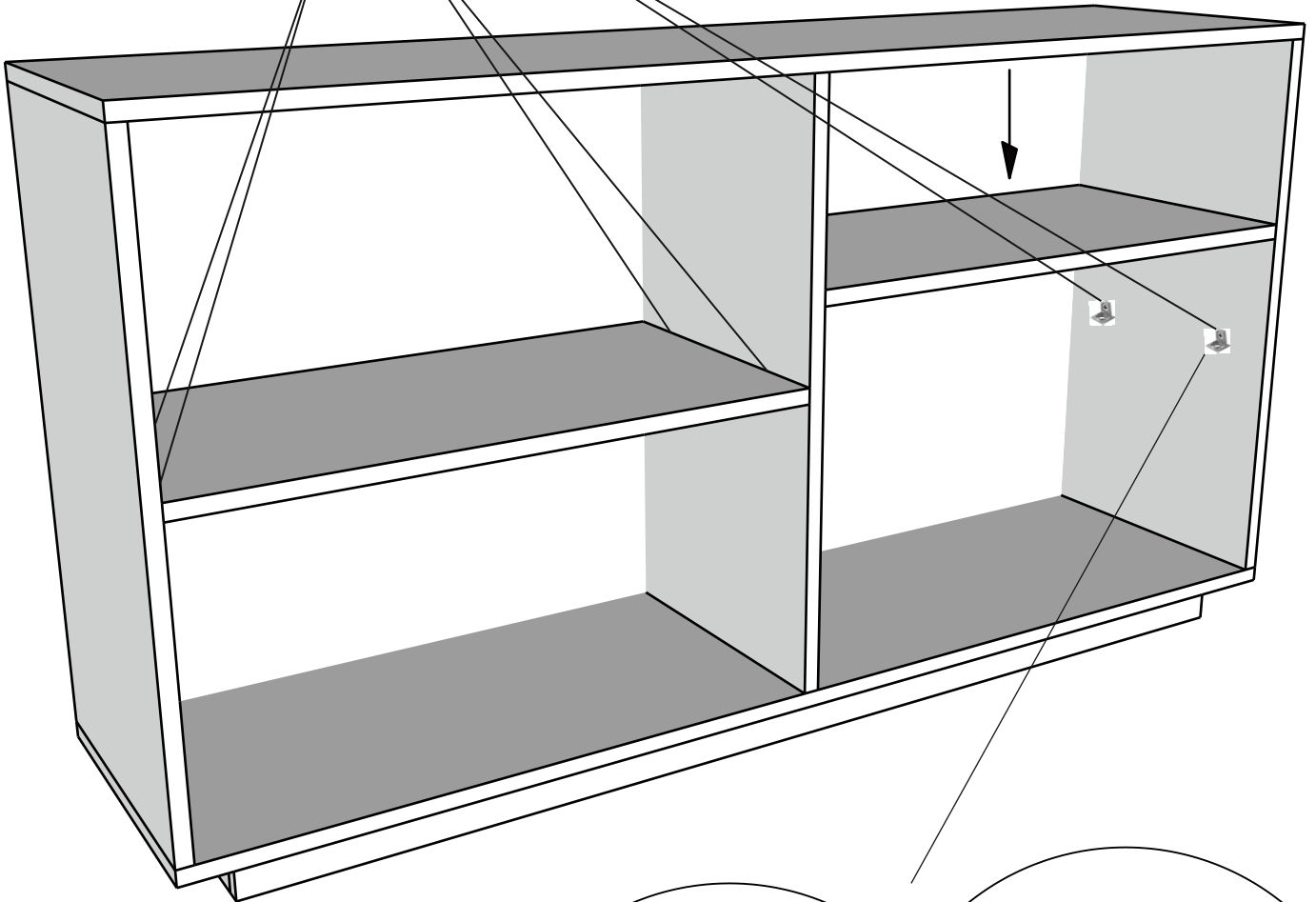
6



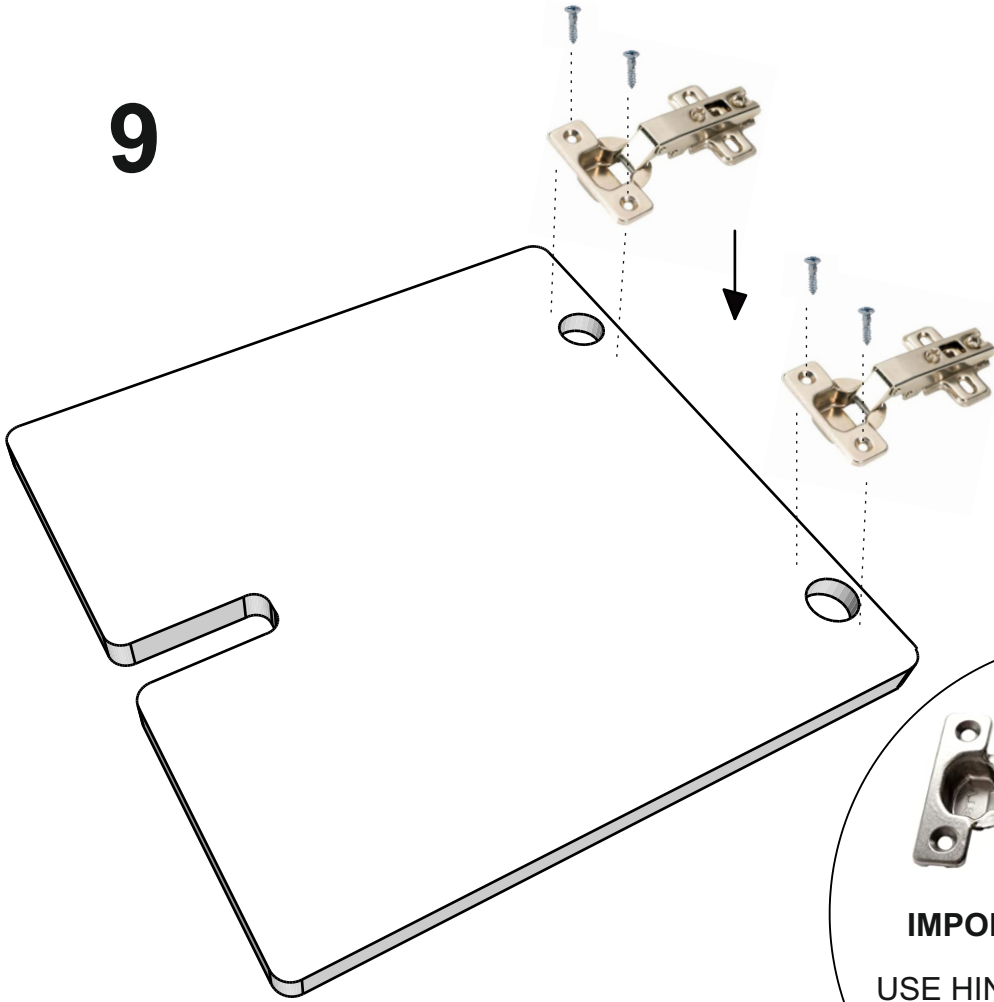
7



8



9



IMPORTANT FOR CENTER DOORS:
USE HINGES AND SCREWS
FROM LABELED BAG "CENTER DOORS"

10

