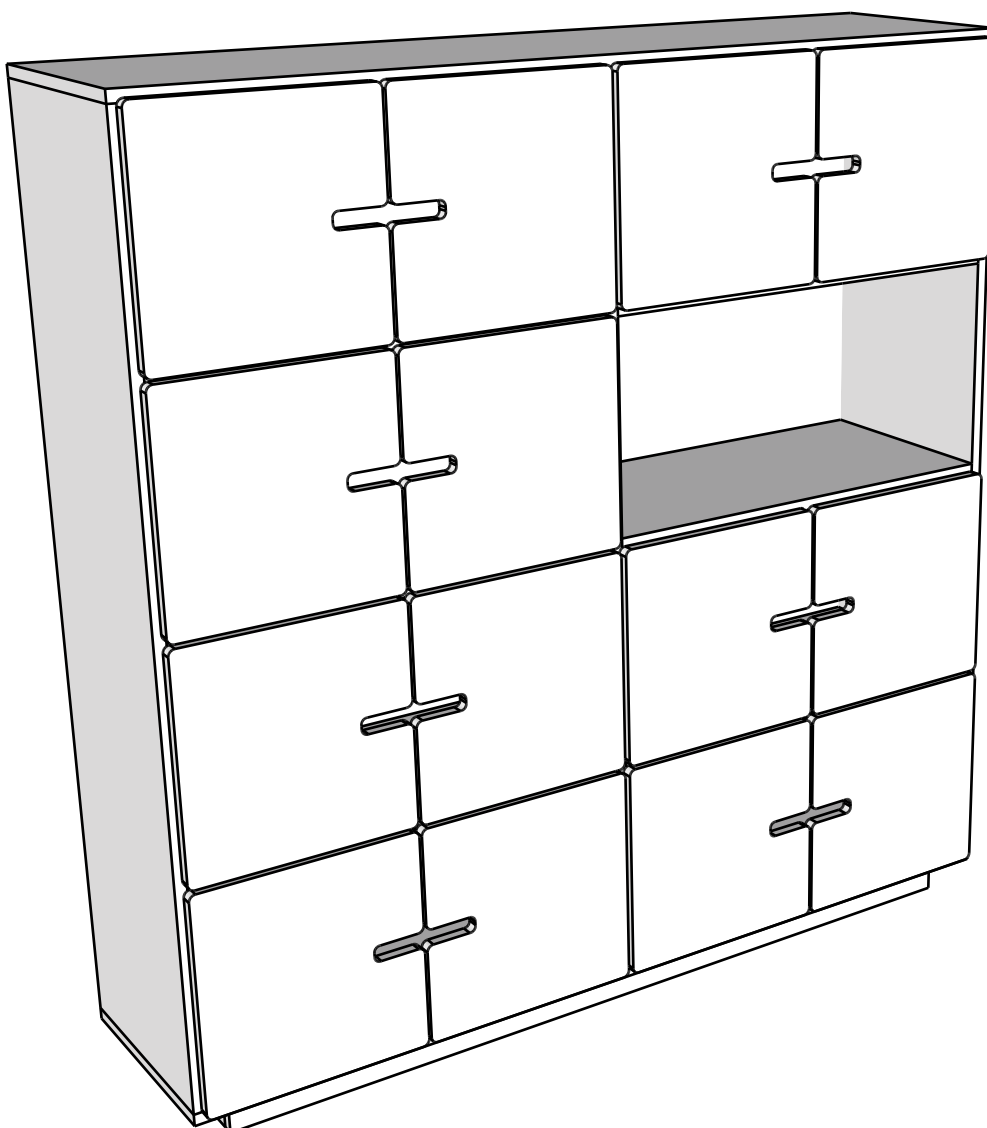


ASSEMBLY INSTRUCTION

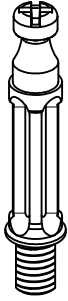
# SIDEBOARD PIX 4X4



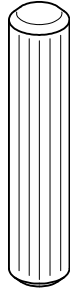
**radis**

*Nordic Elegance*

[WWW.RADIS.EE](http://WWW.RADIS.EE)



X12



X12



X24



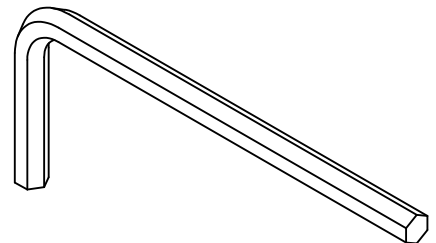
X12



X14



X48



X1

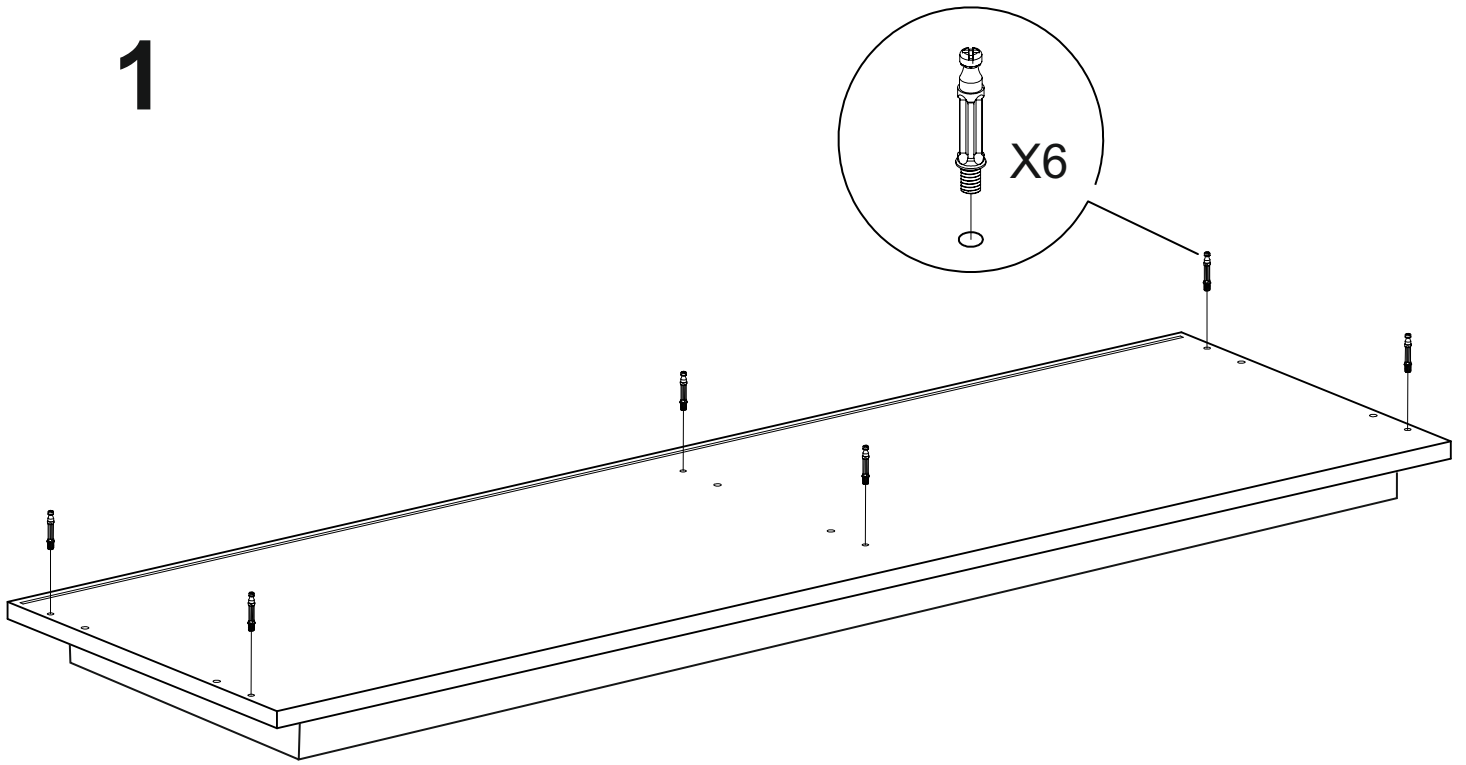


FOR CENTER DOORS X14

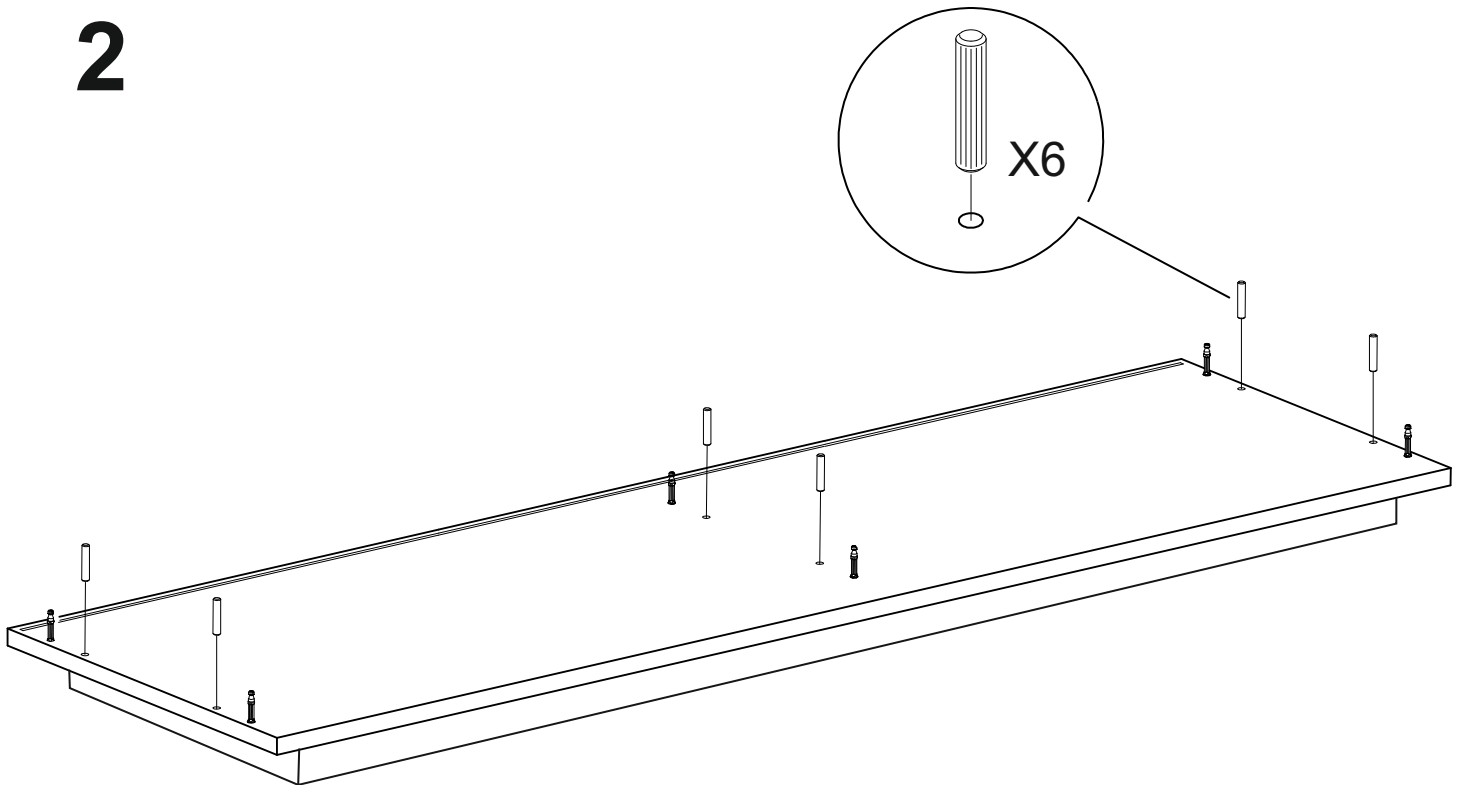


X2

1

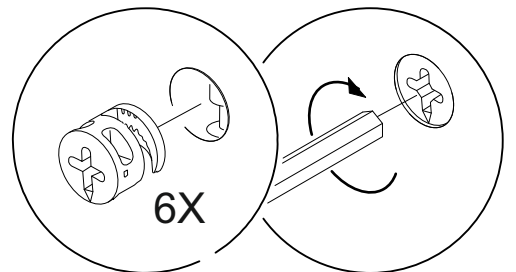
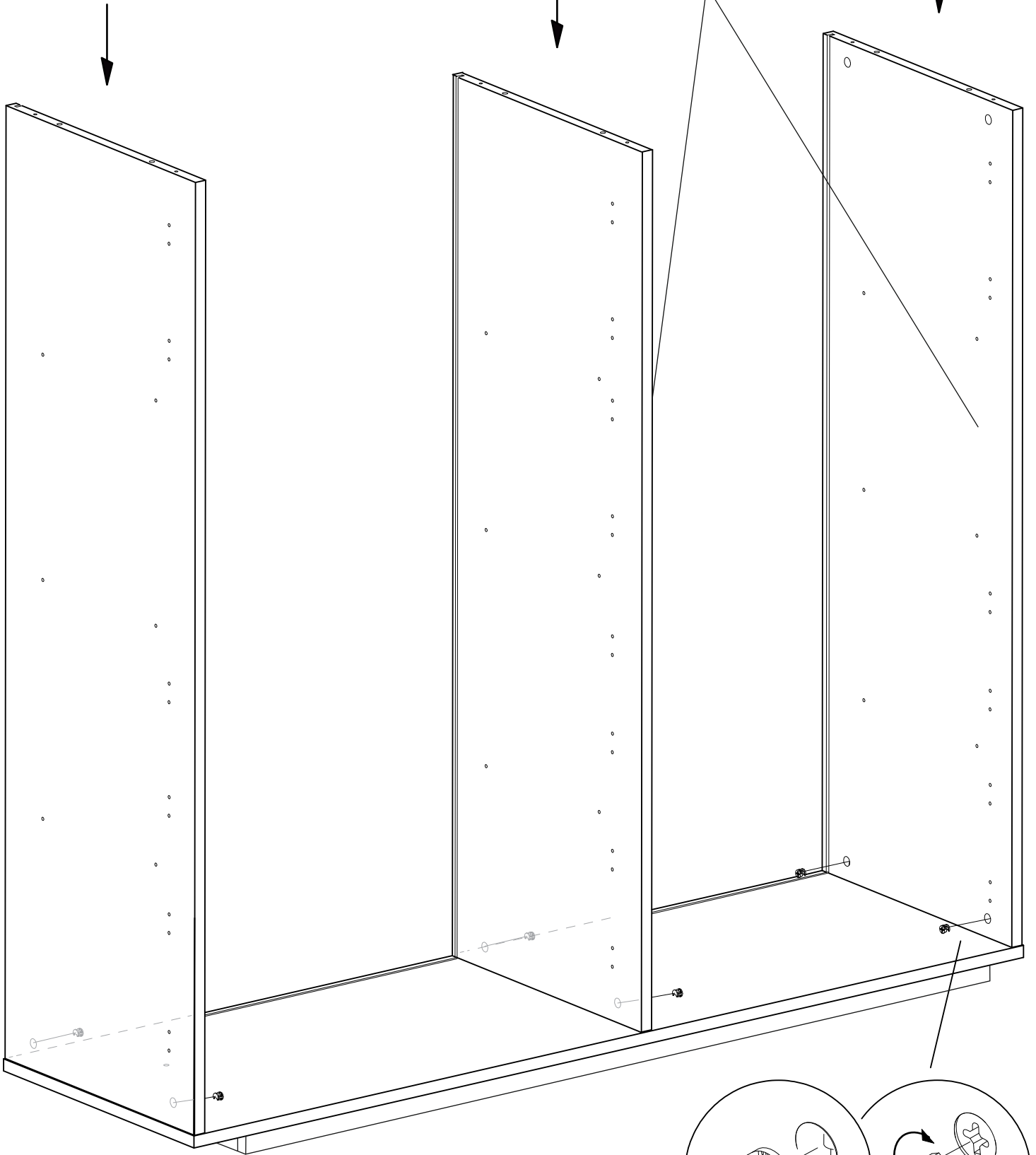


2

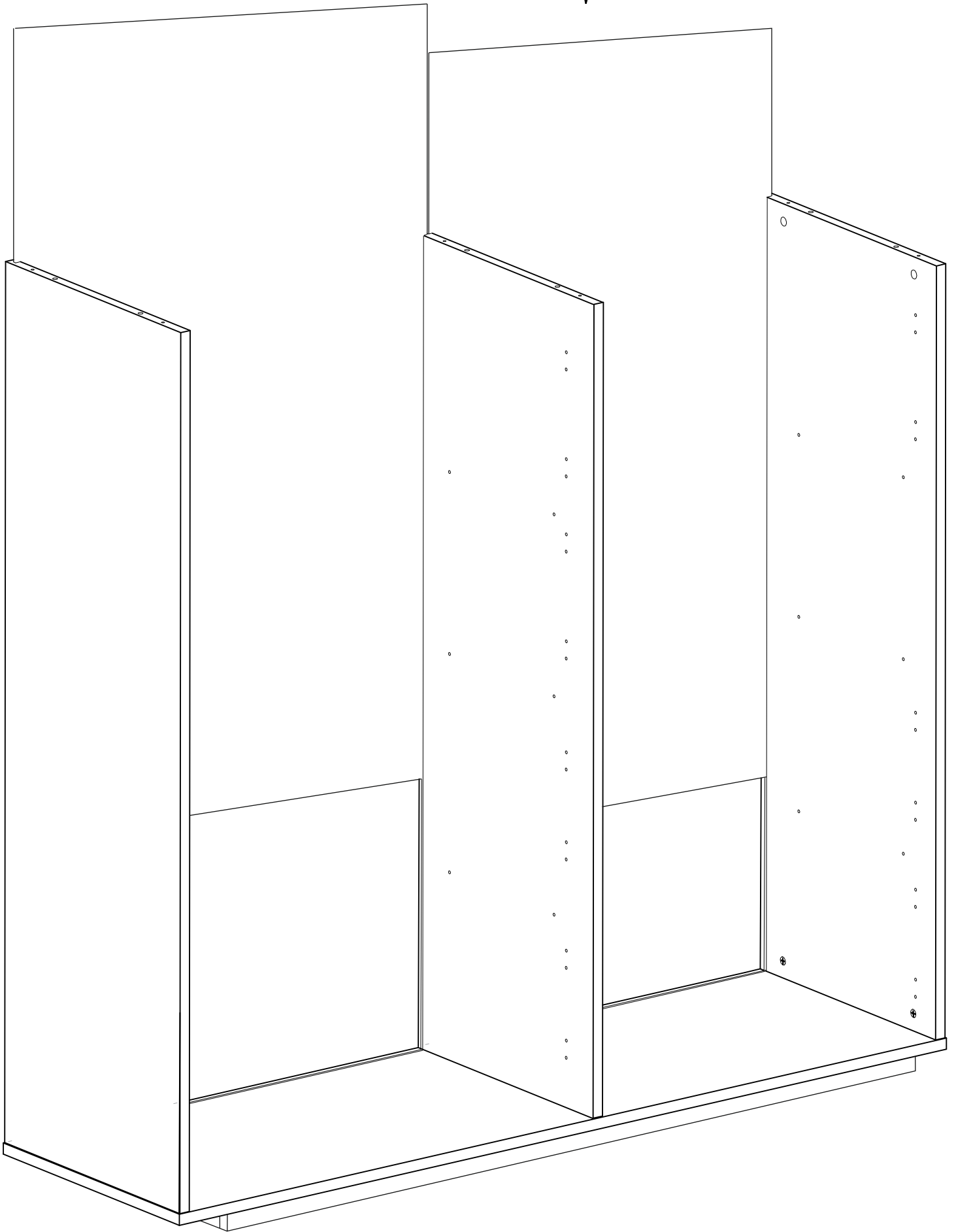


**3**

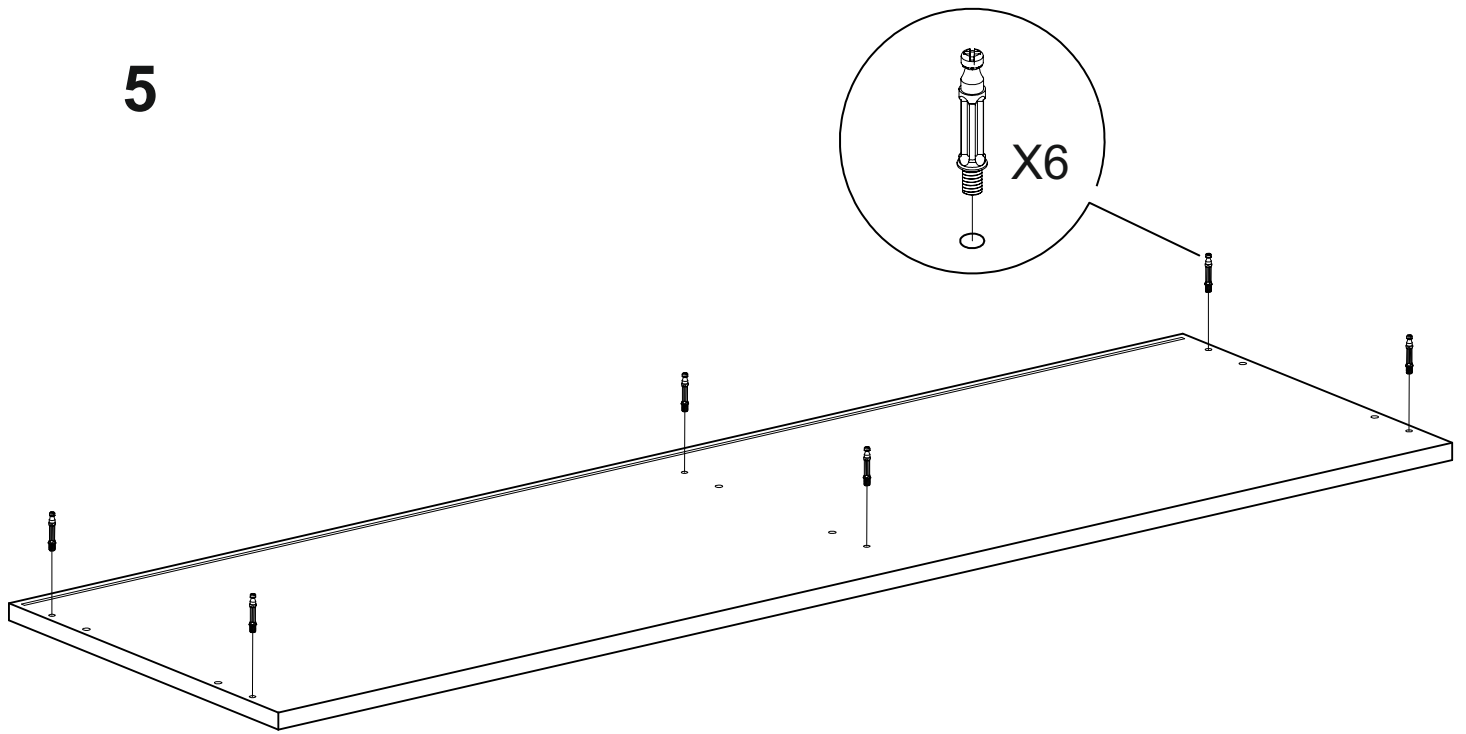
**IMPORTANT!**  
**NO DOOR HINGES HOLES.**



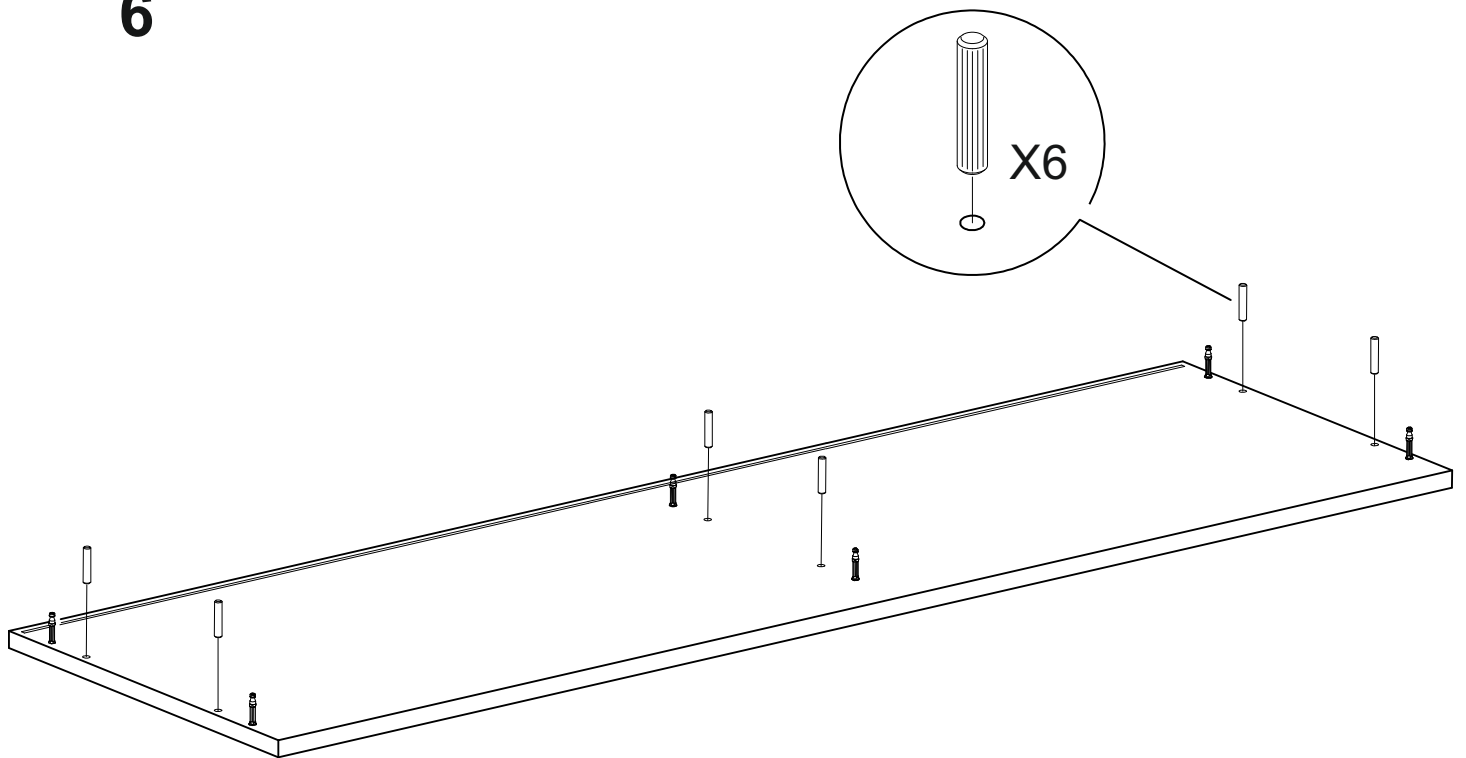
4



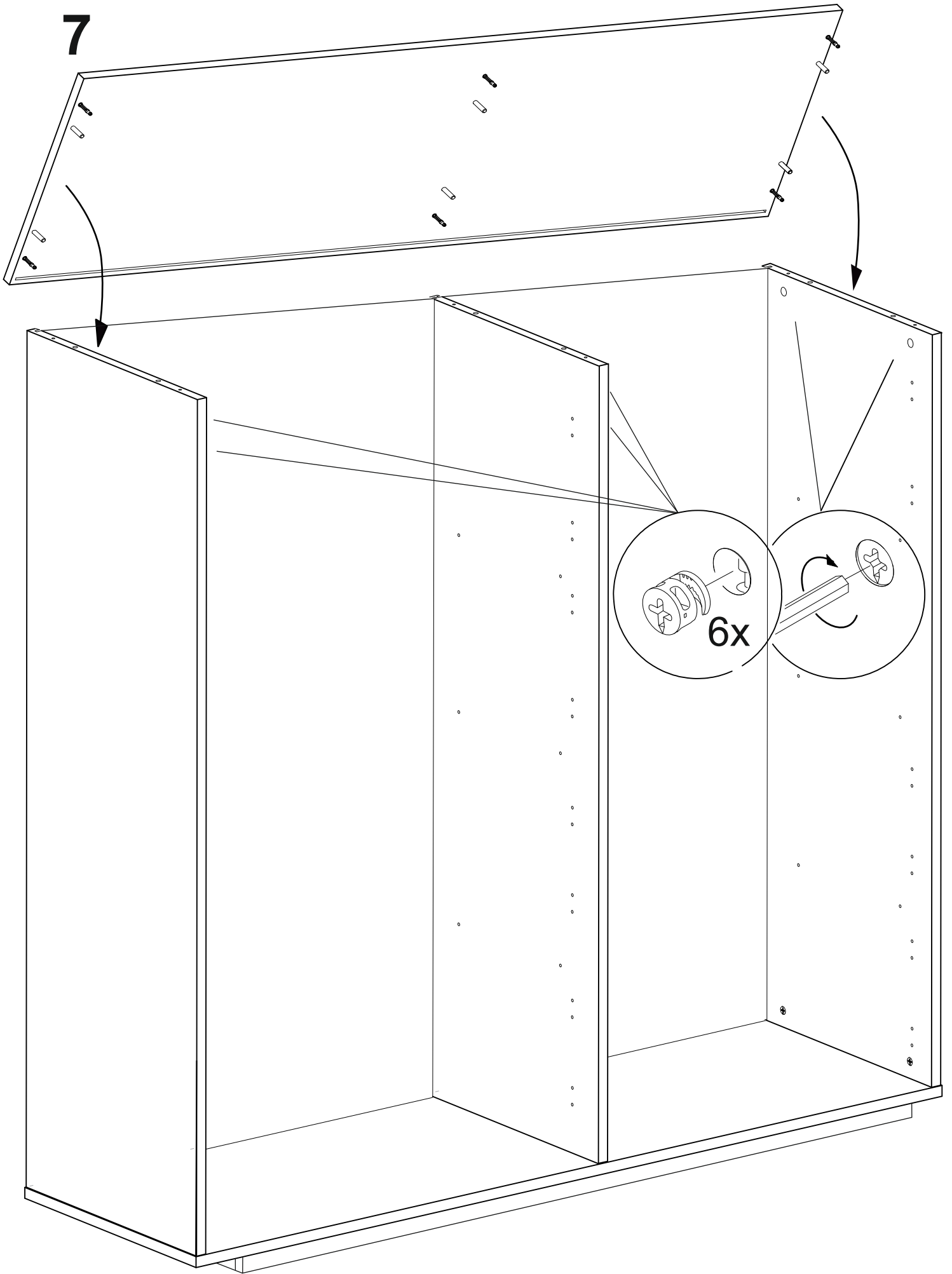
5



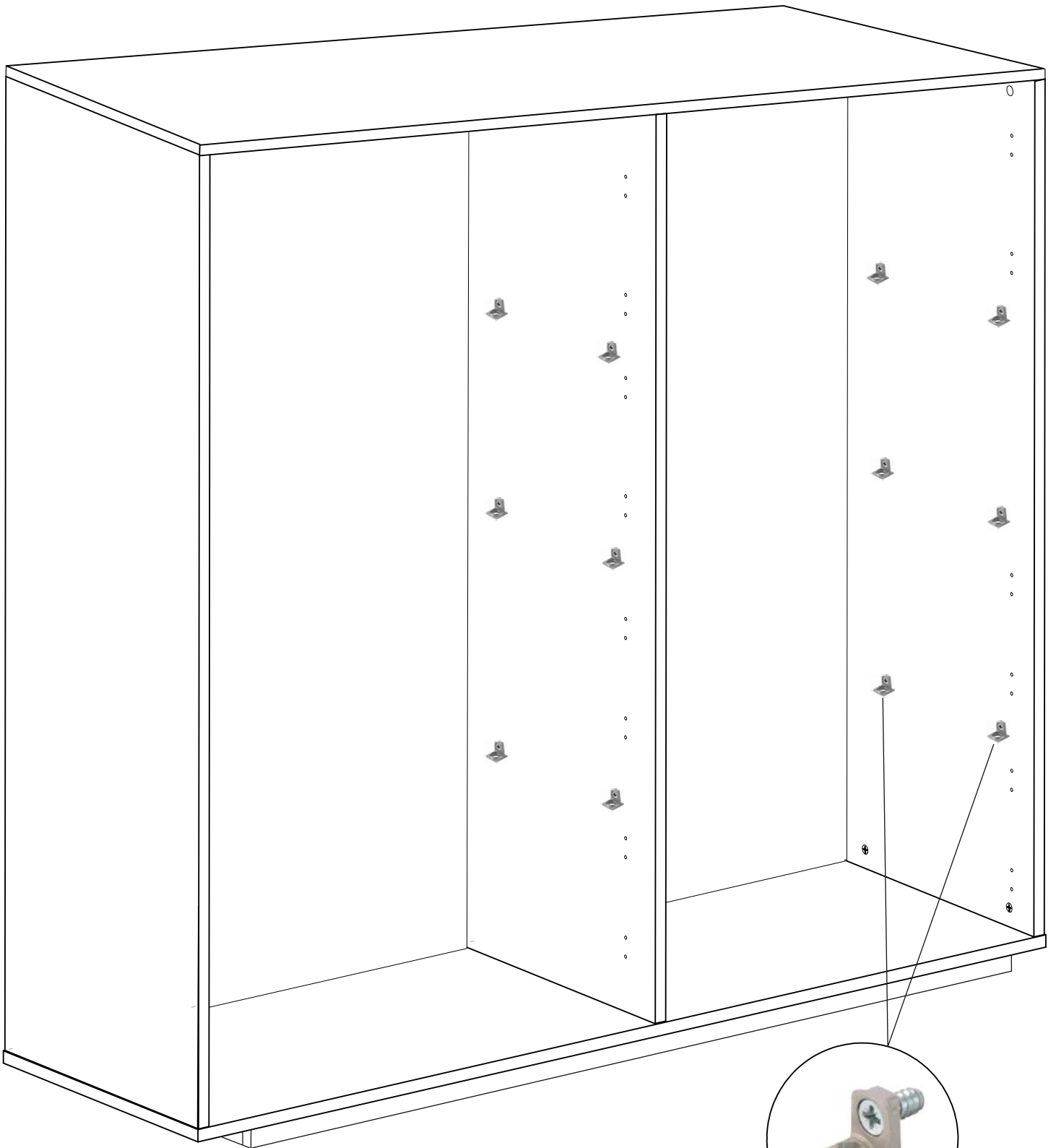
6



7



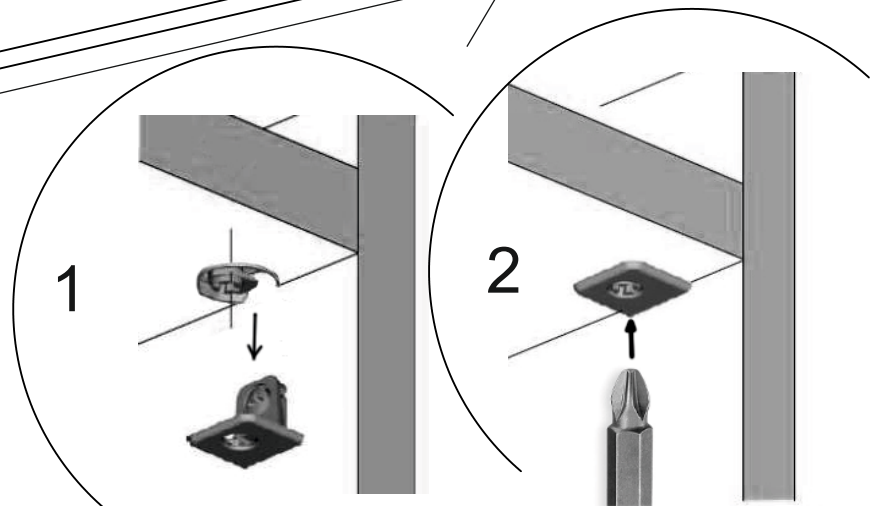
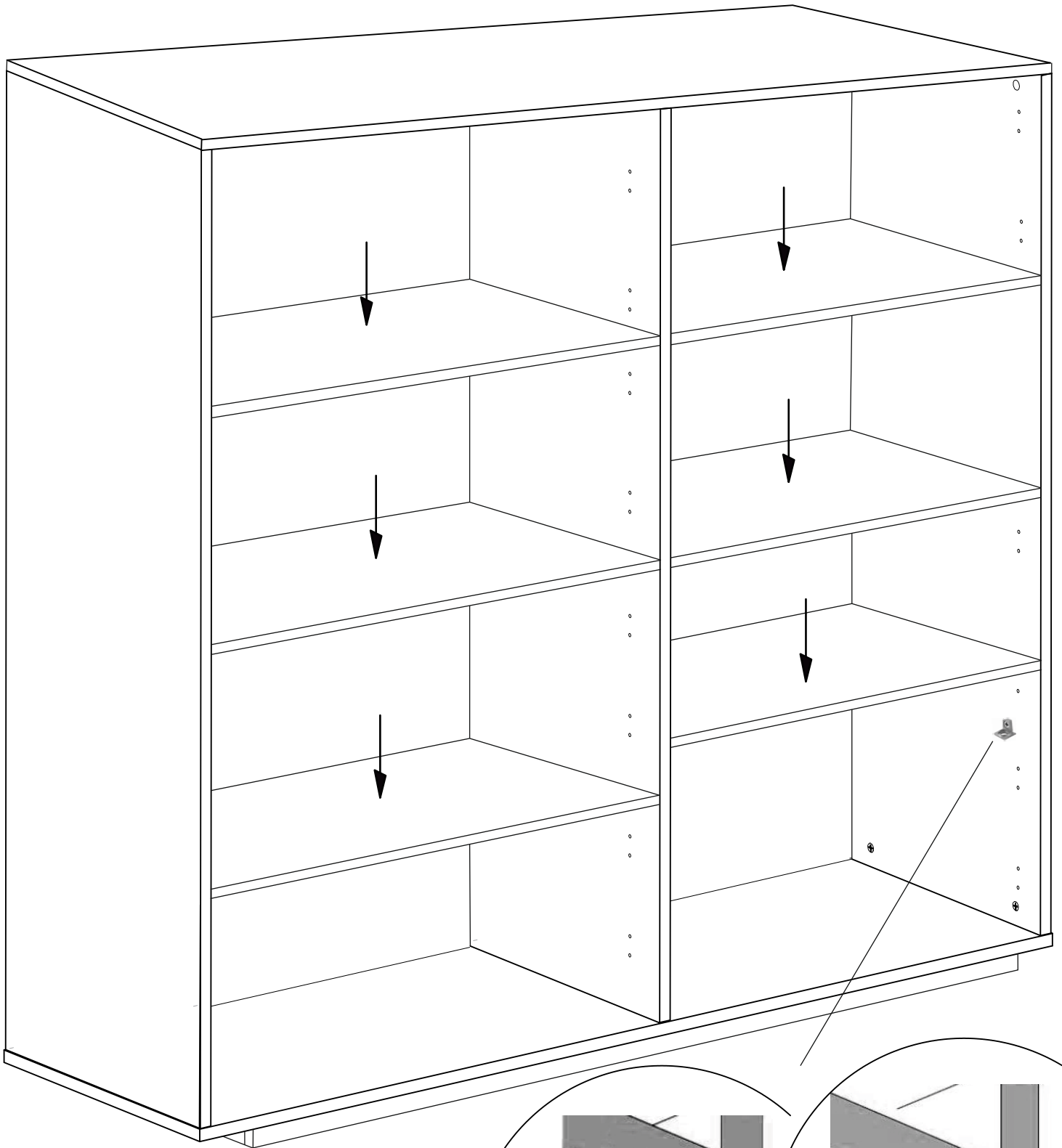
8



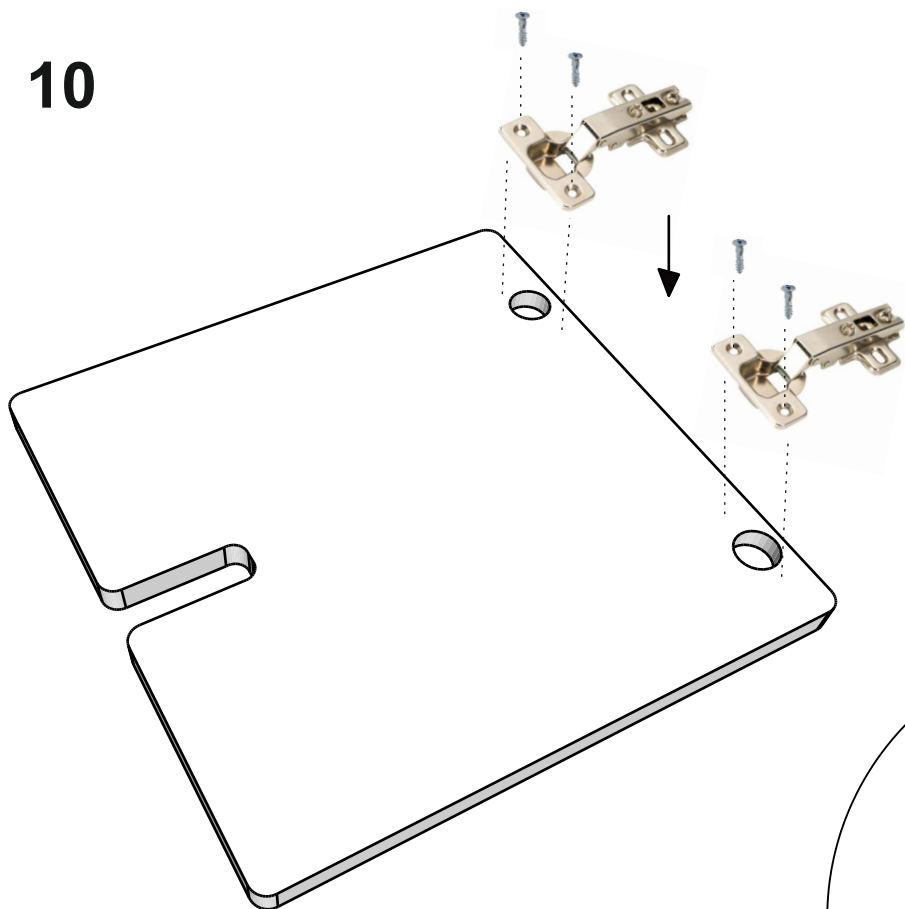
24X



9



10

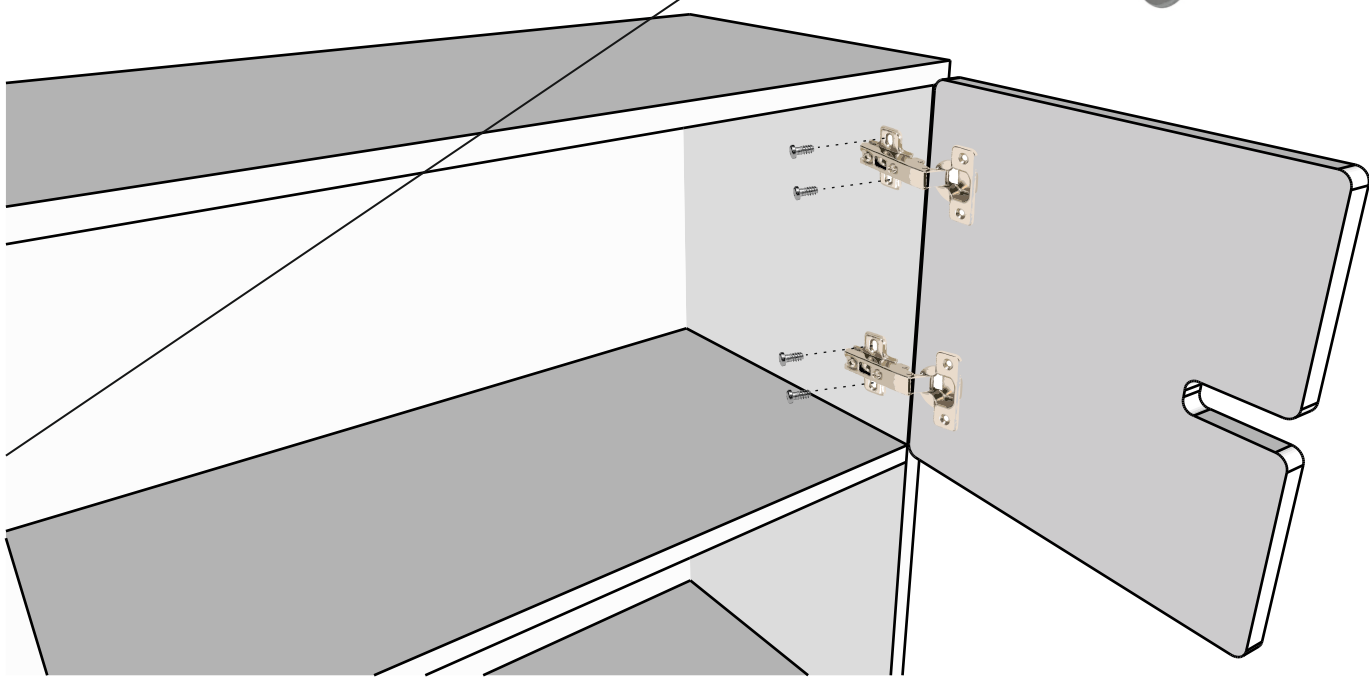


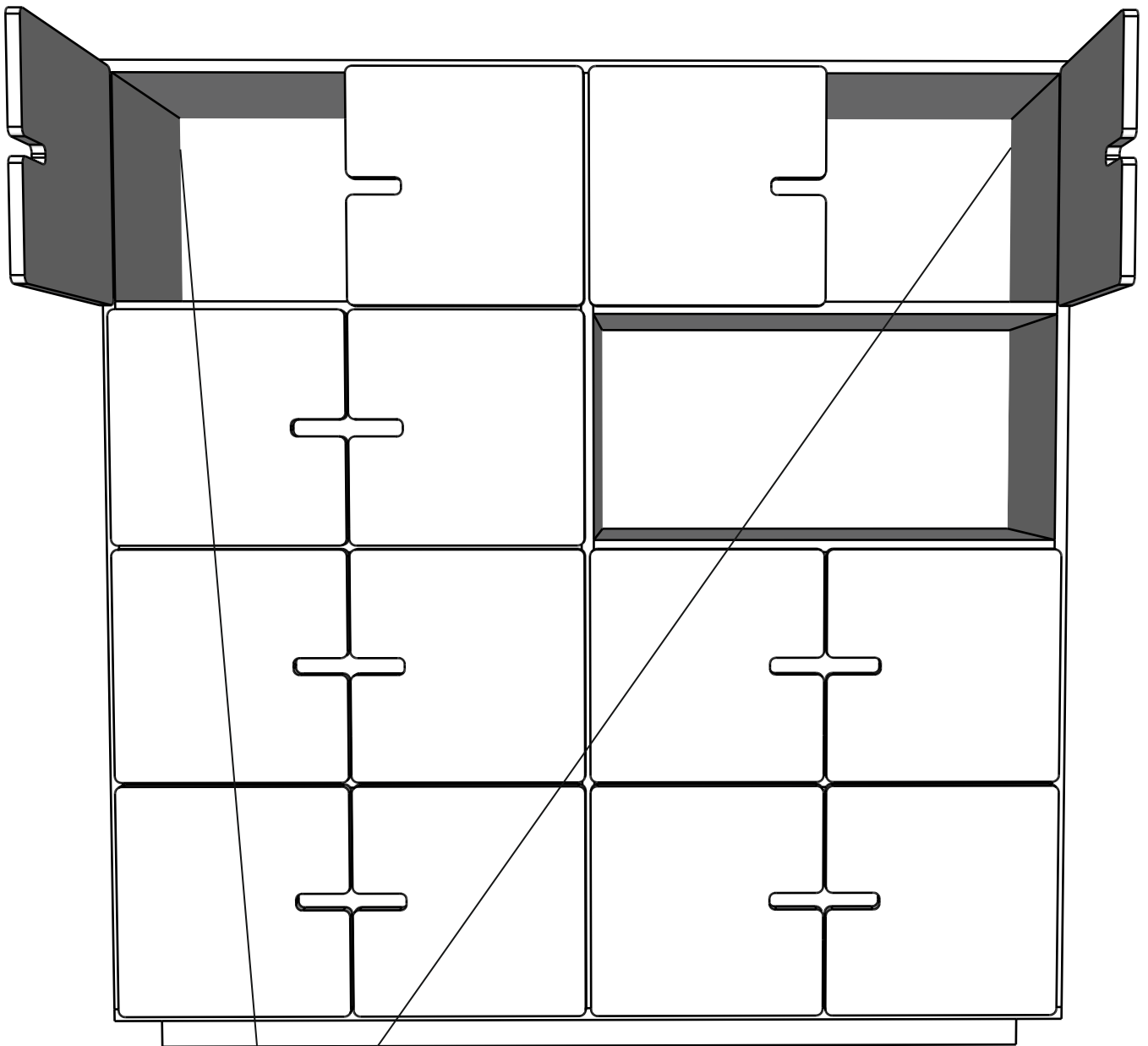
11



**IMPORTANT FOR CENTER DOORS:**

USE HINGES AND SCREWS FROM LABELED BAG "CENTER DOORS"





**IMPORTANT:**  
FIX THE SIDEBOARD  
TO THE WALL