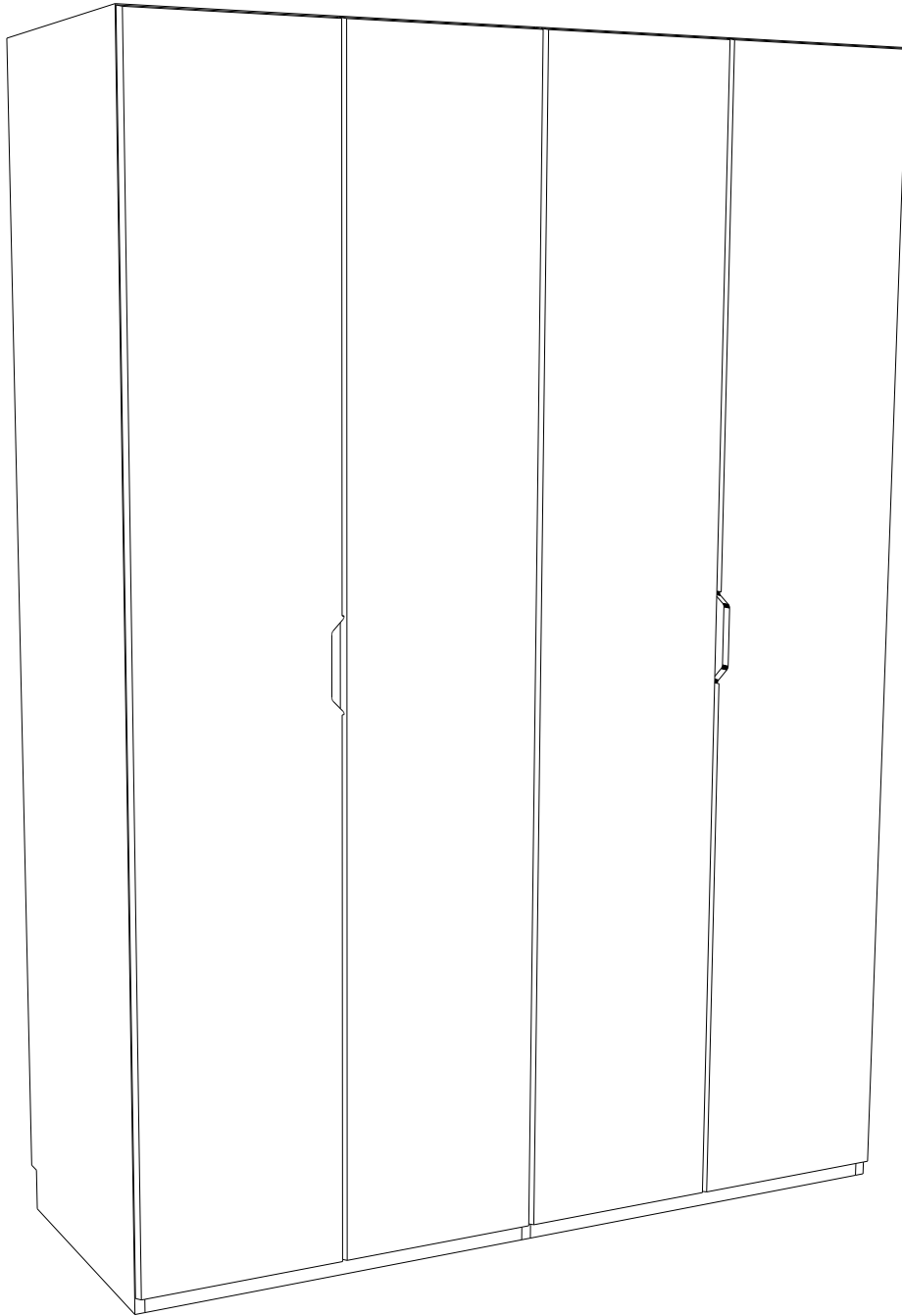


ASSEMBLY INSTRUCTION

WARDROBE NOBLE 2/4 DOORS

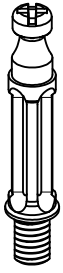


radis

NATURAL COMPACT LIVING

WWW.RADIS.EE

2 DOORS / 4 DOORS



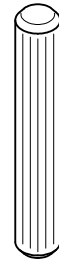
X8 / X16



X8 / X16



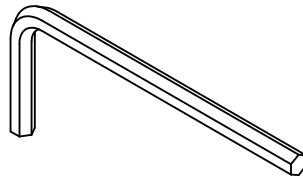
X8 / X16



X4 ONLY WITH 4 DOORS



X8 / X16



X1



X4 / X8



X8 / X16



X2 / X4



X1 / X2



X8



X4 ONLY WITH 4 DOORS

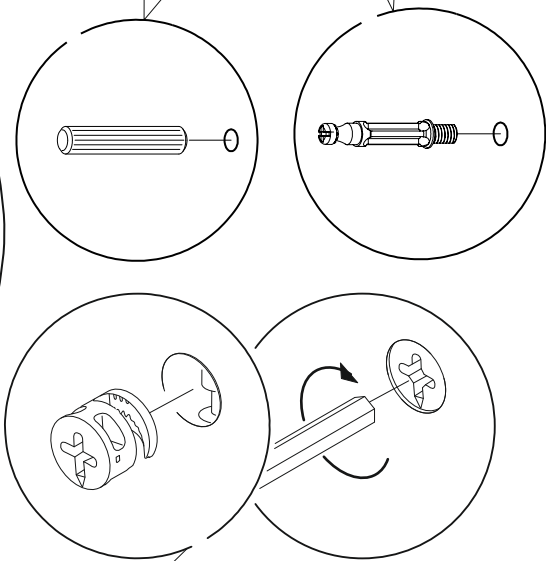
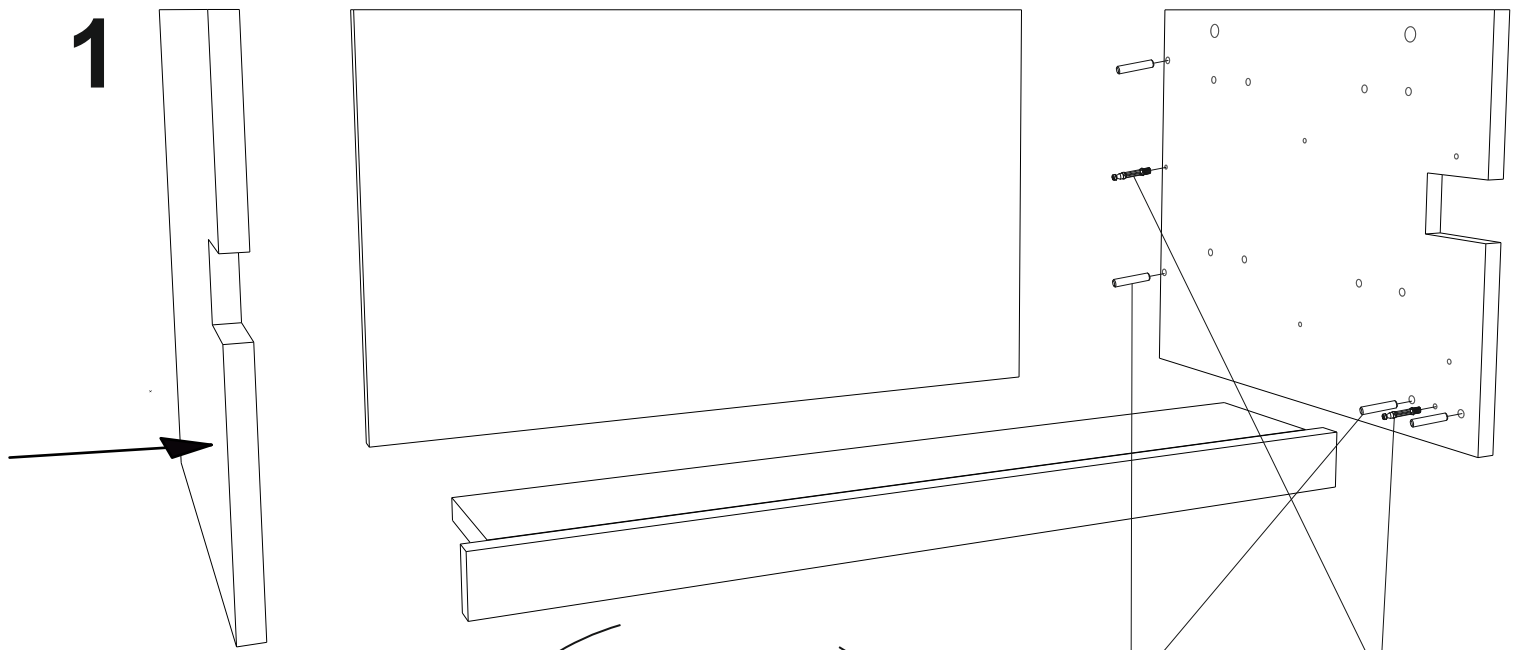


X8 / X16

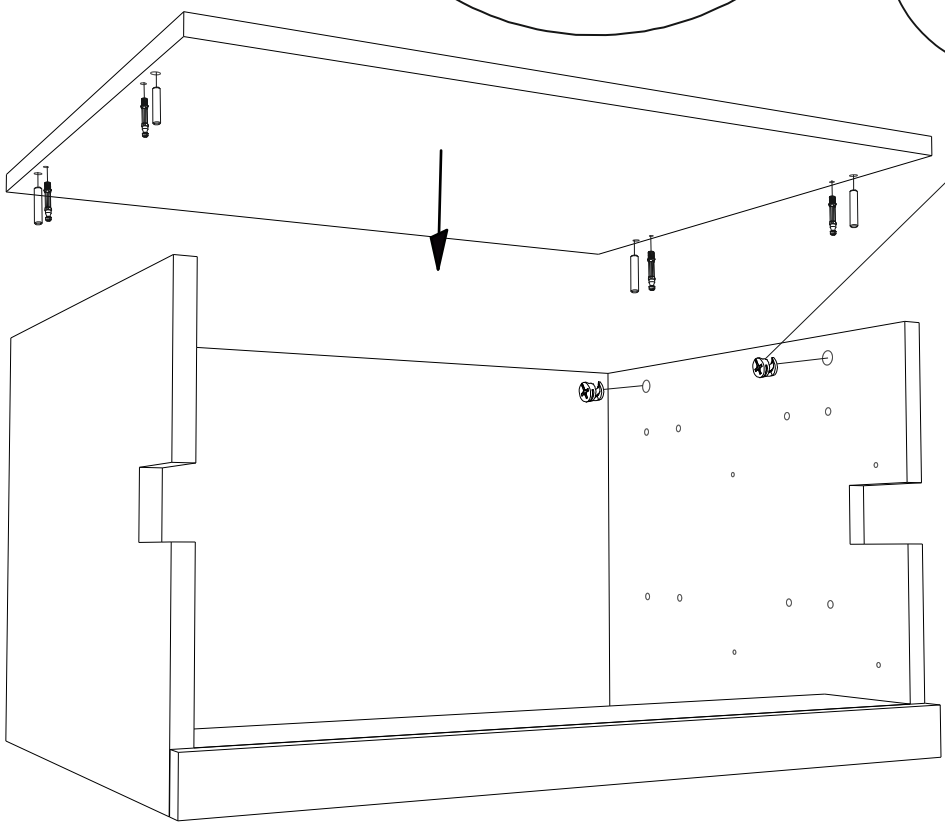


X6 / X12

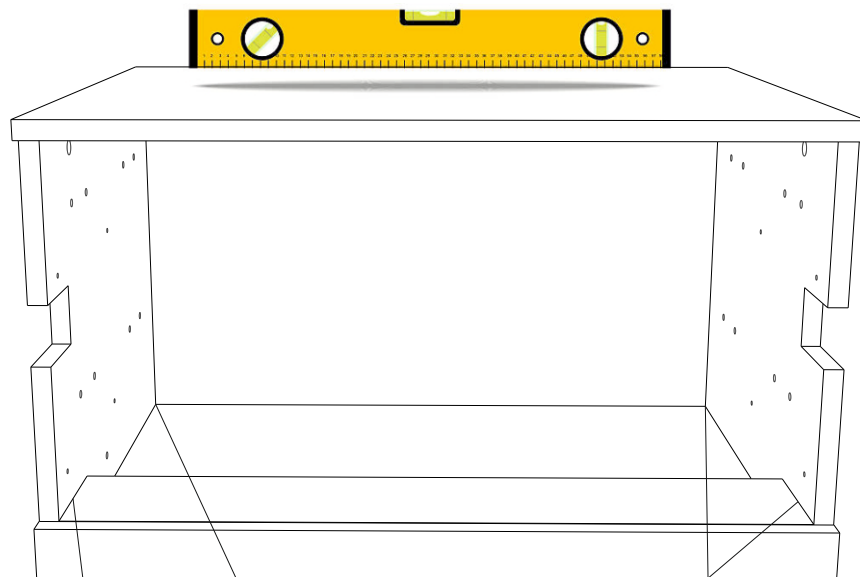
1



2



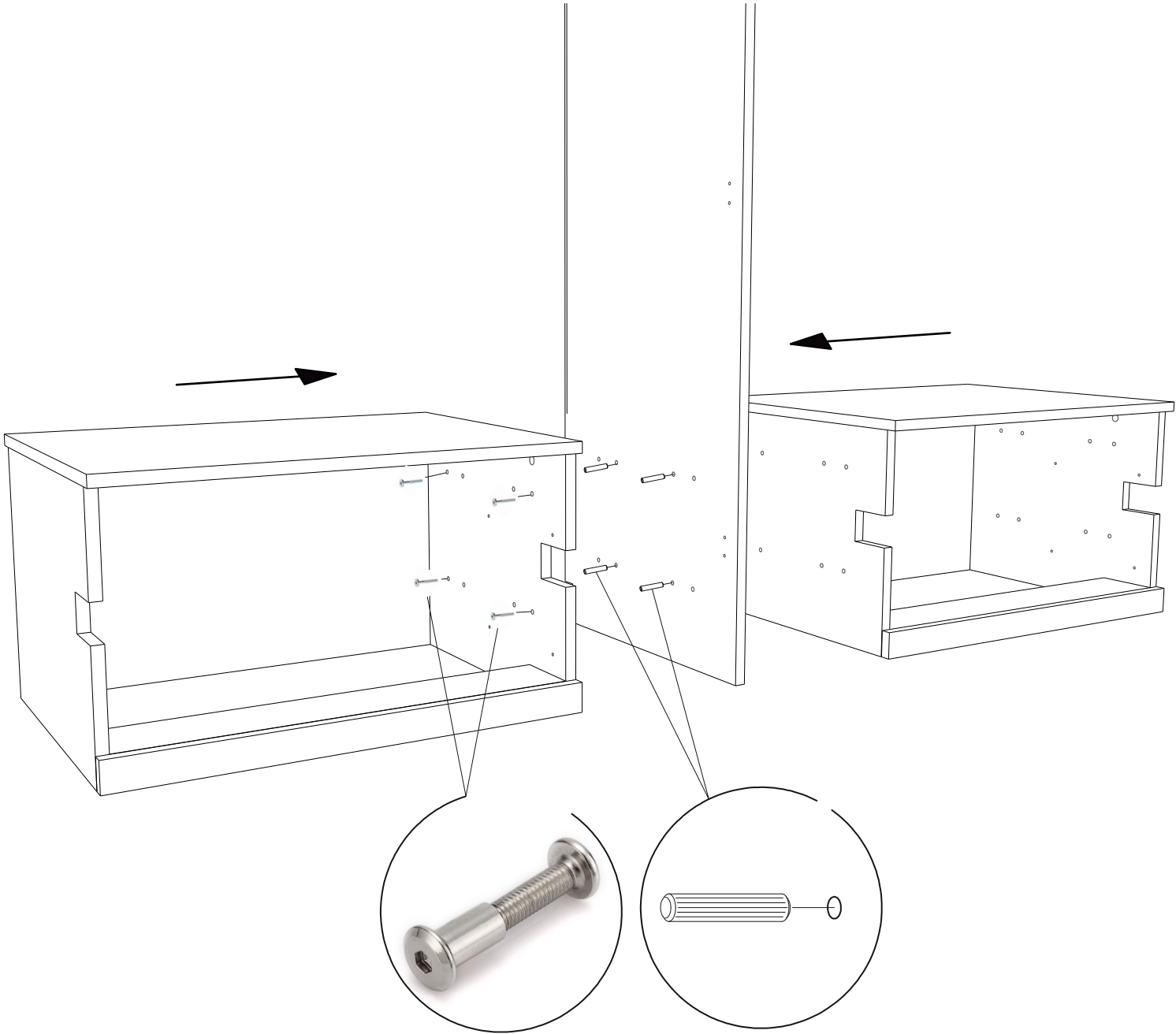
3



Balance the cabinet legs

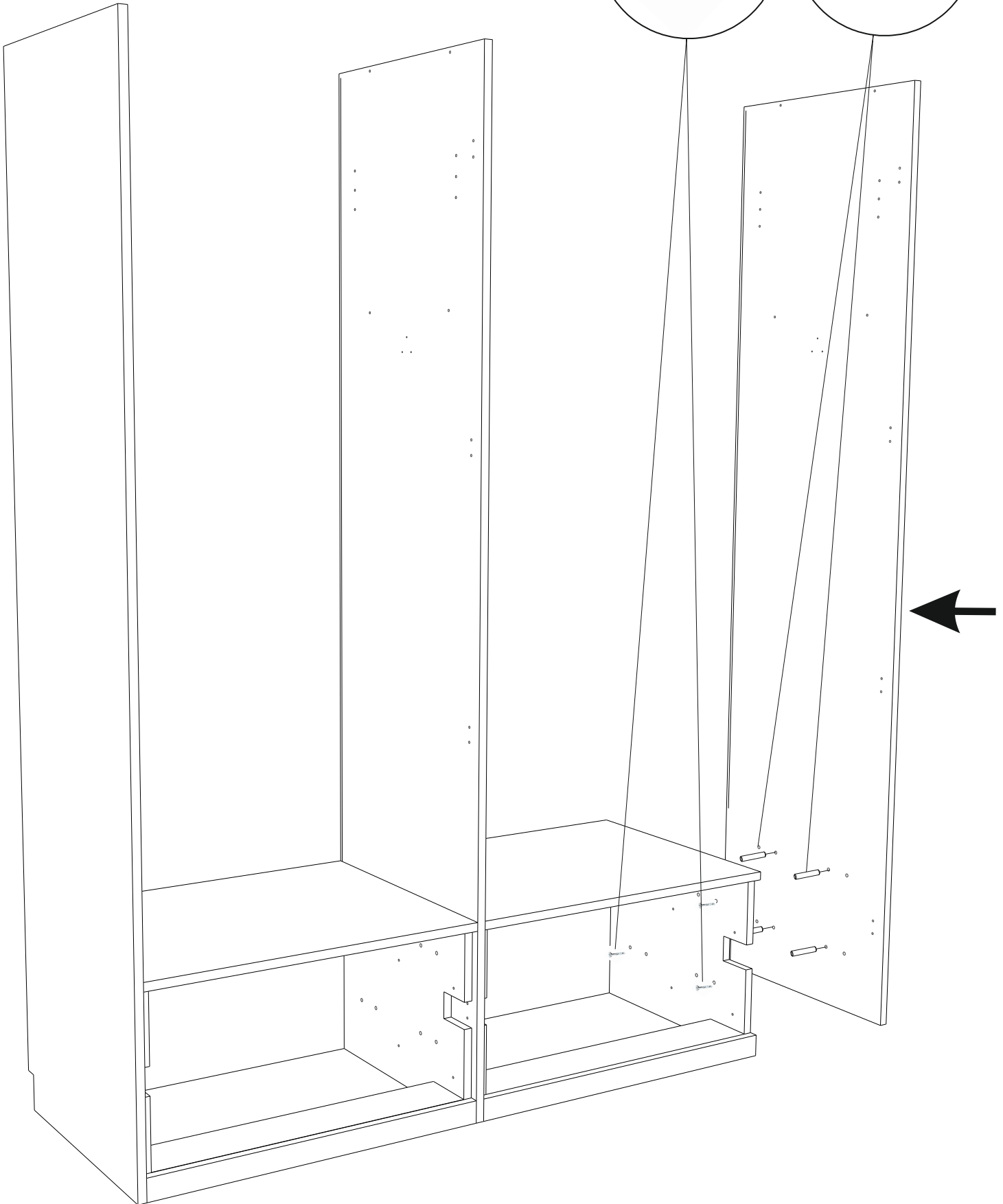
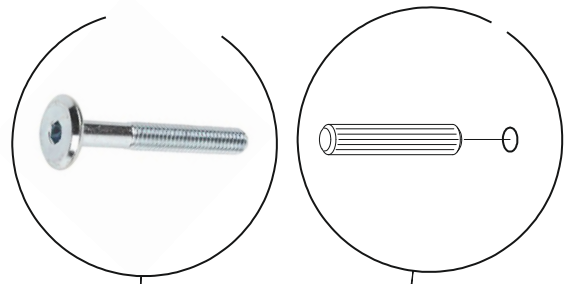


4

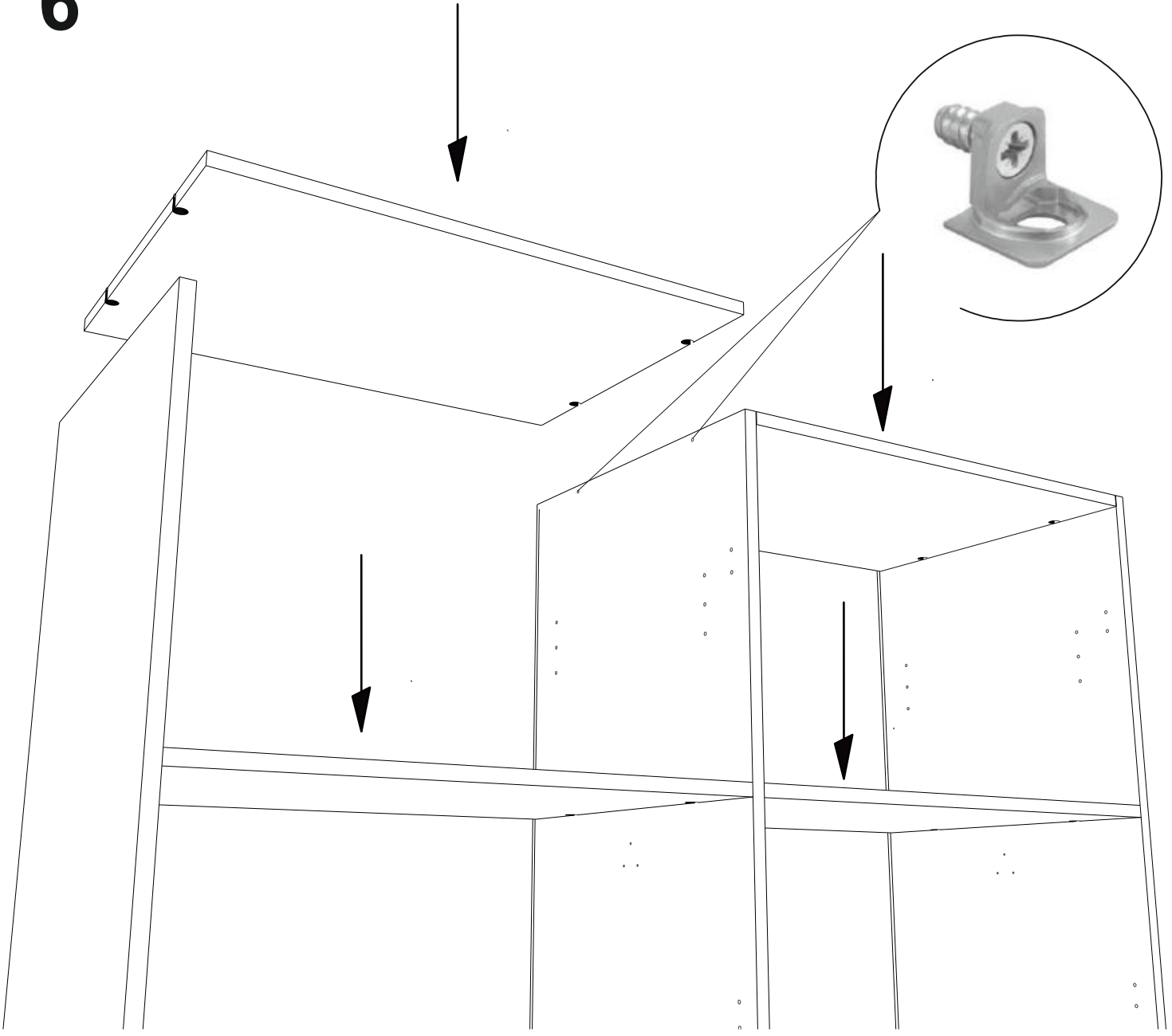


4 door model connect the cabinets together

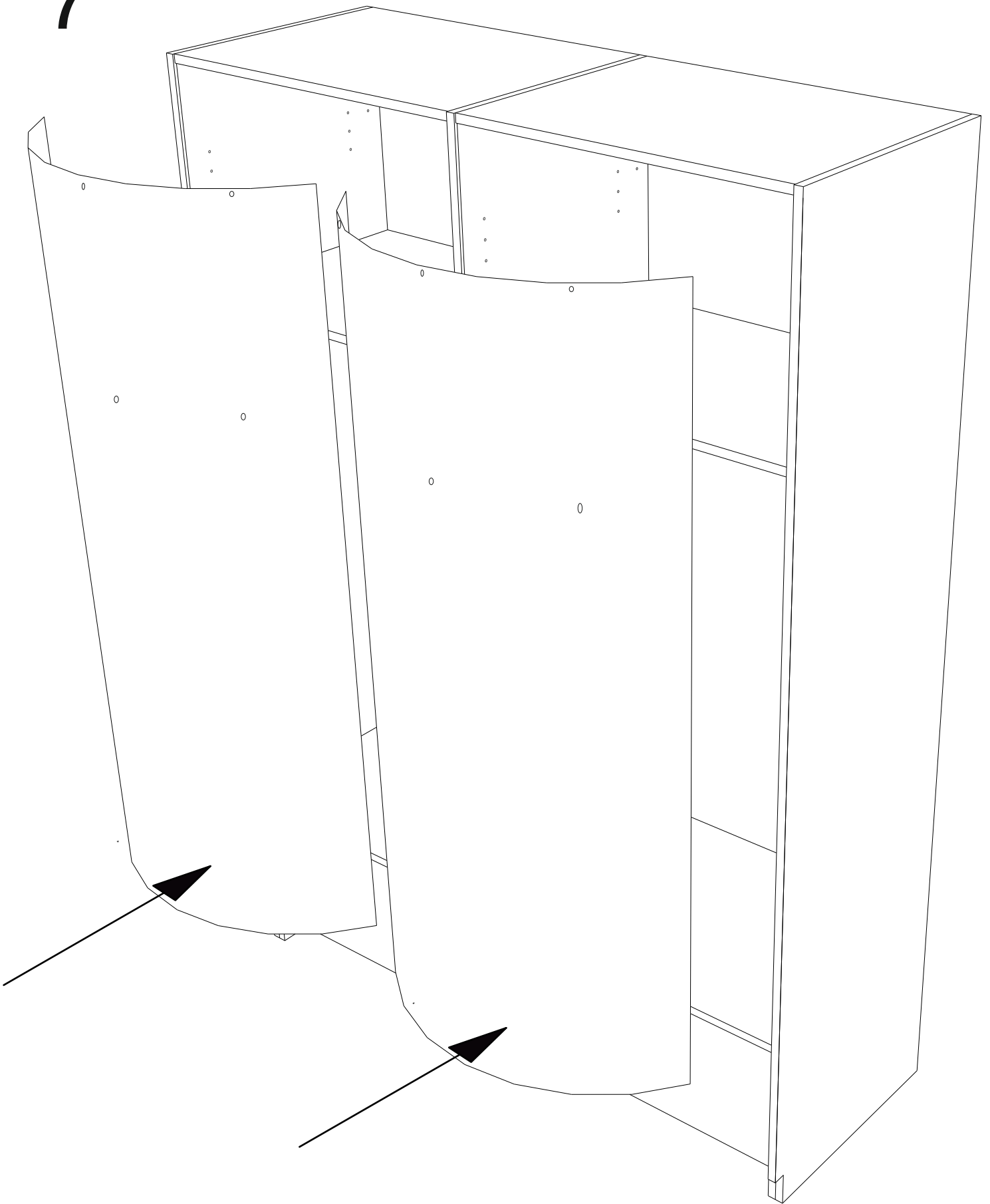
5



6

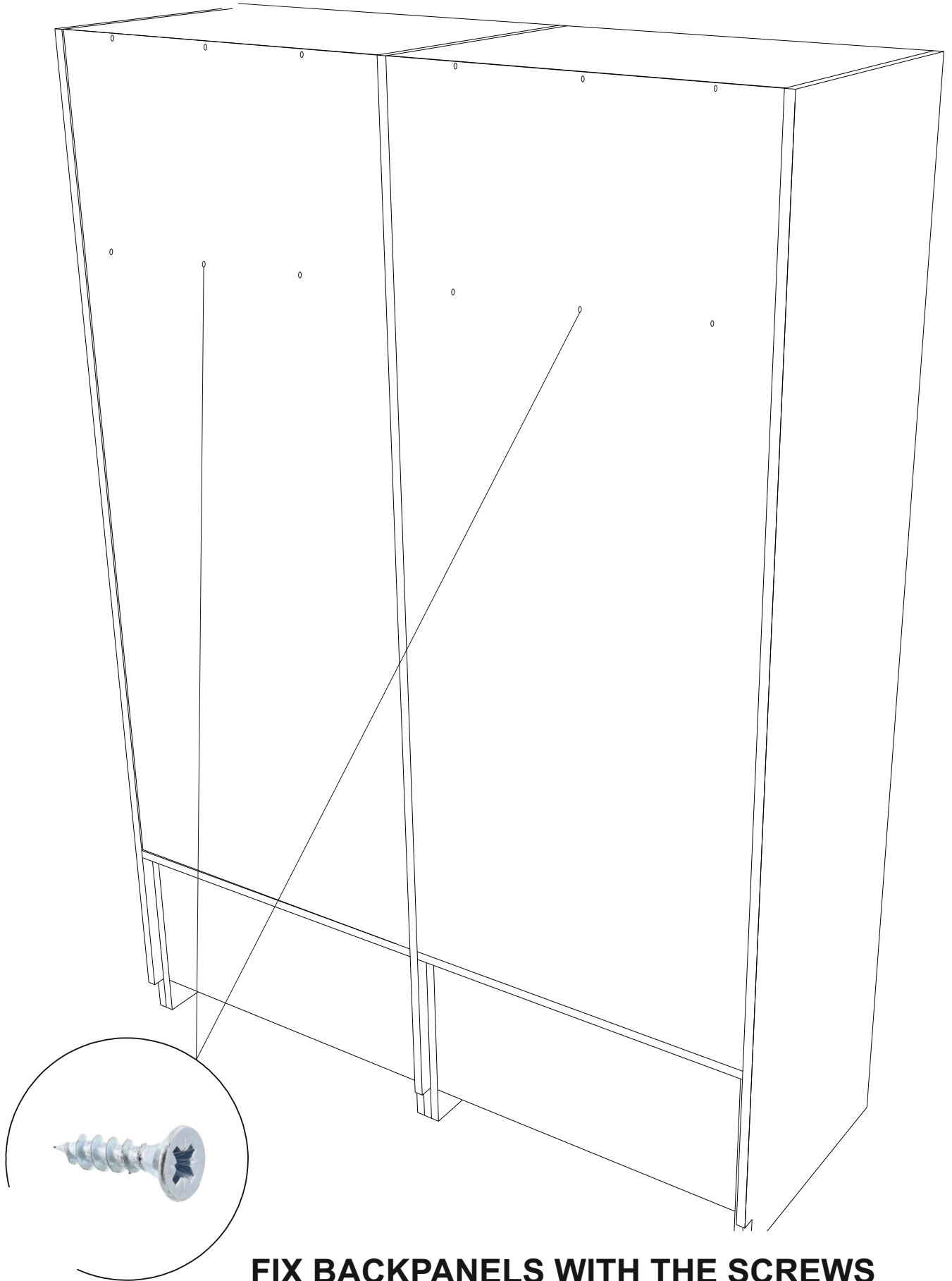


7



Bend the background plywood into the back groove

8

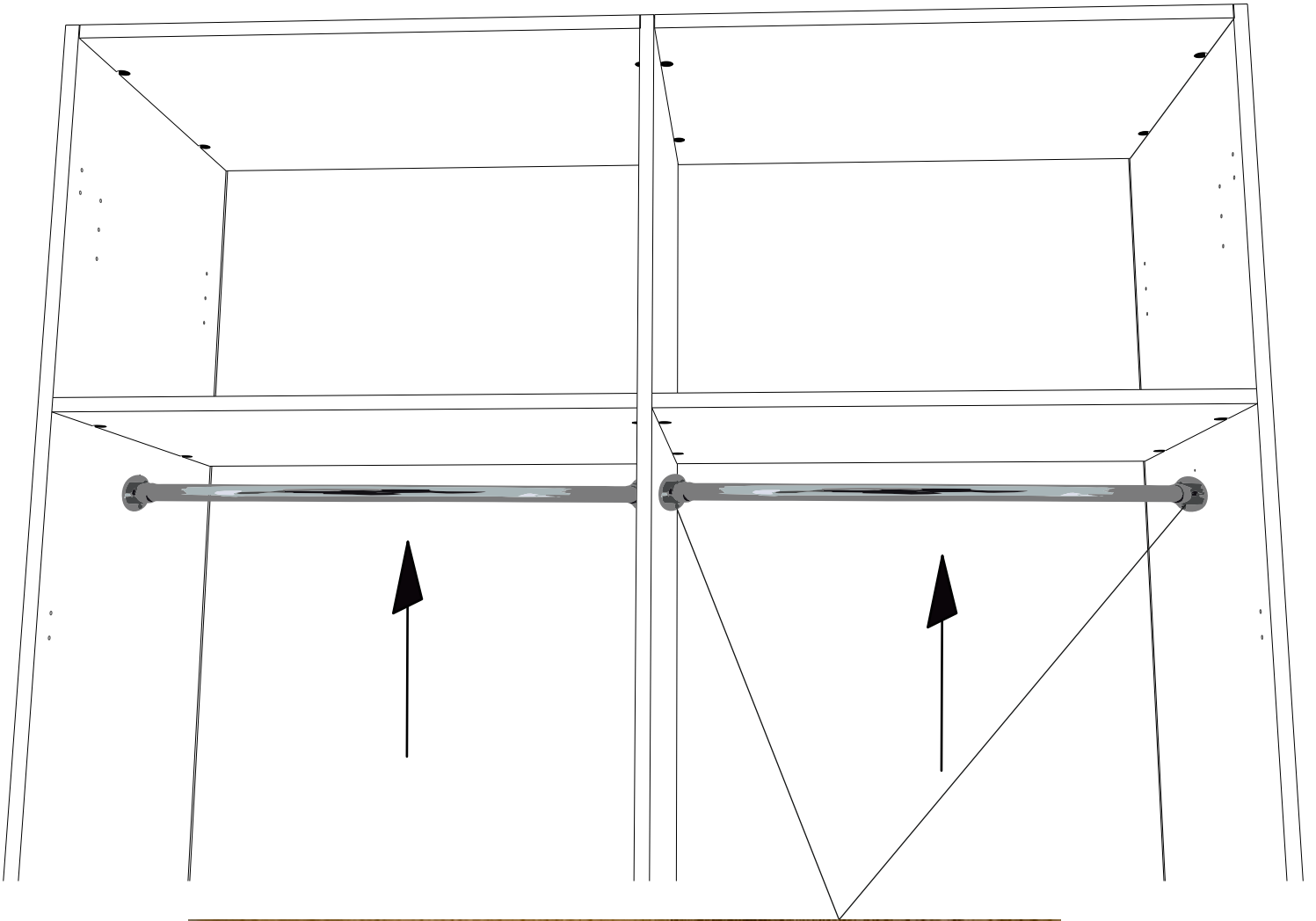


FIX BACKPANELS WITH THE SCREWS

9

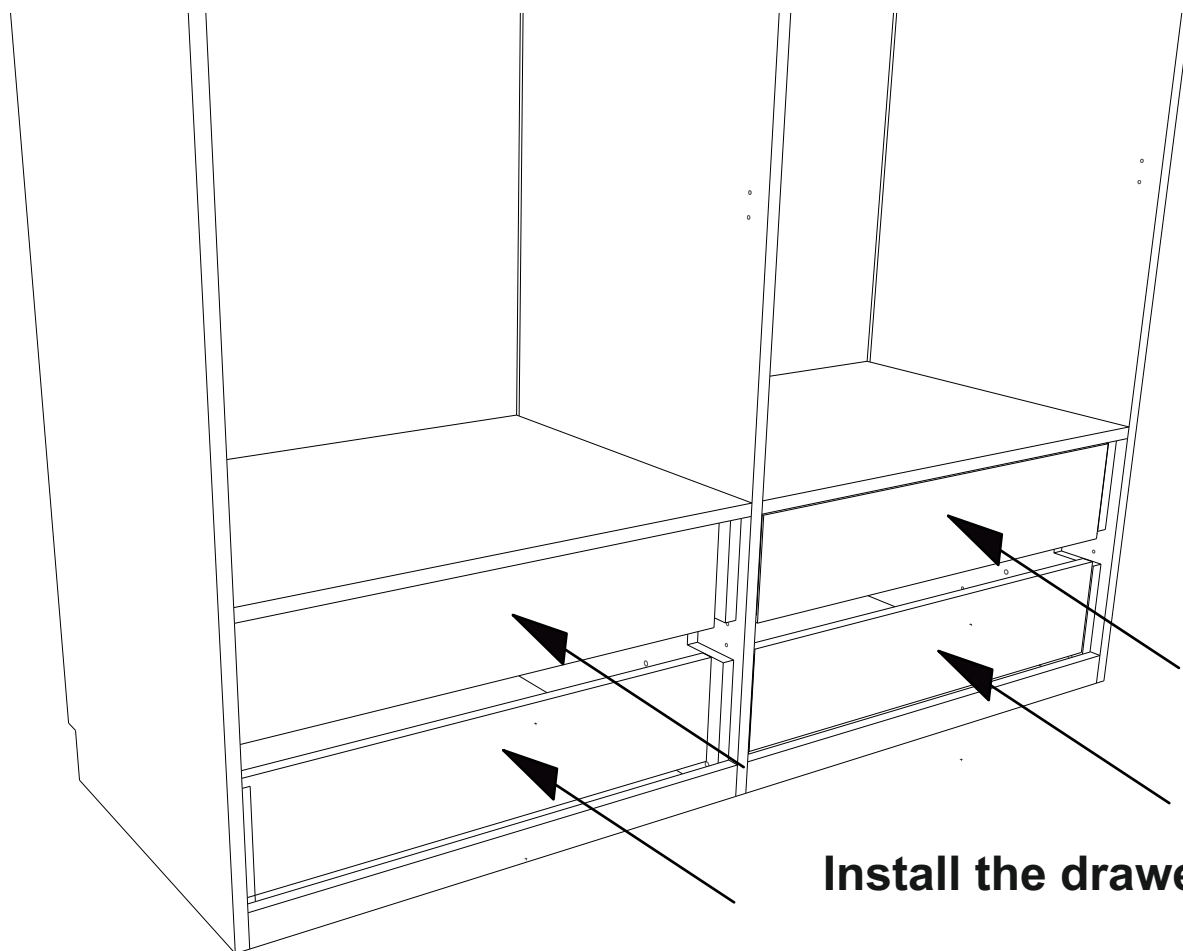
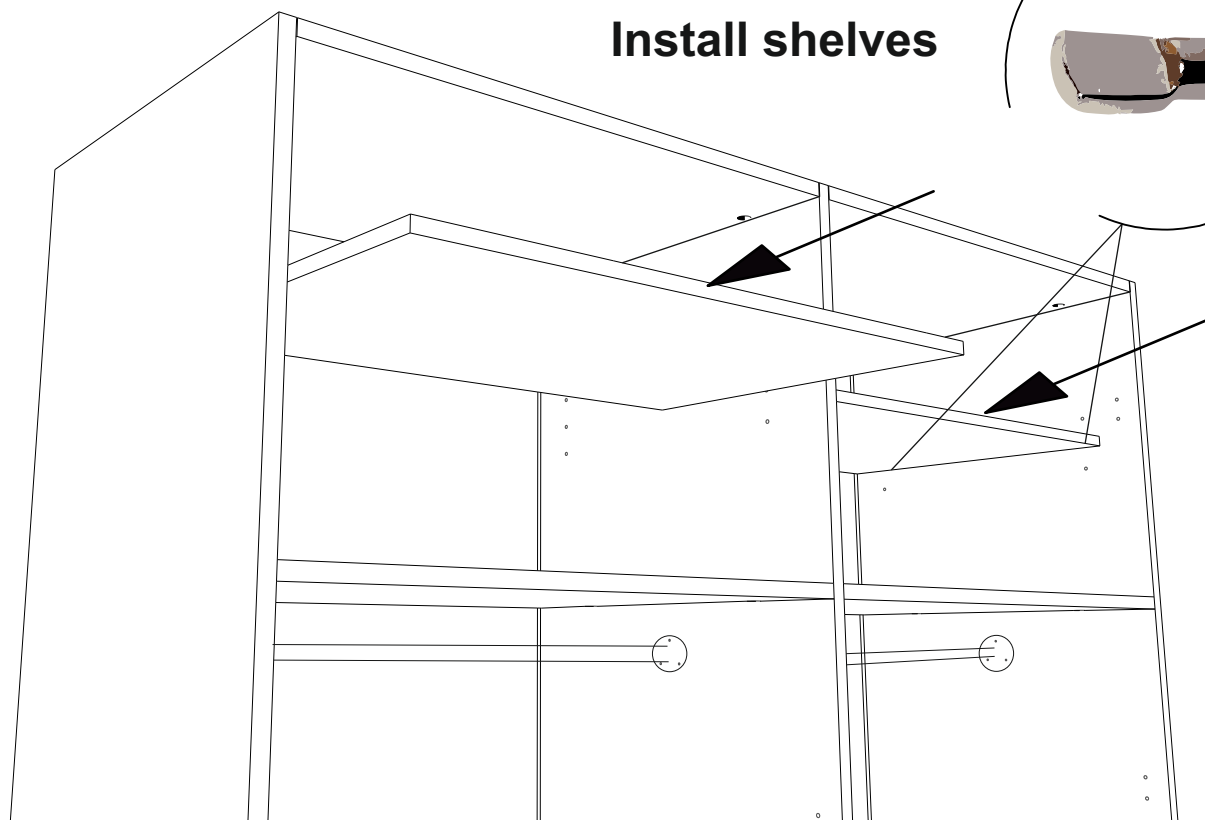
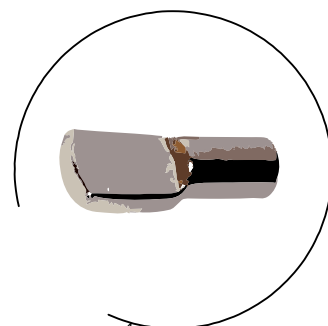


7



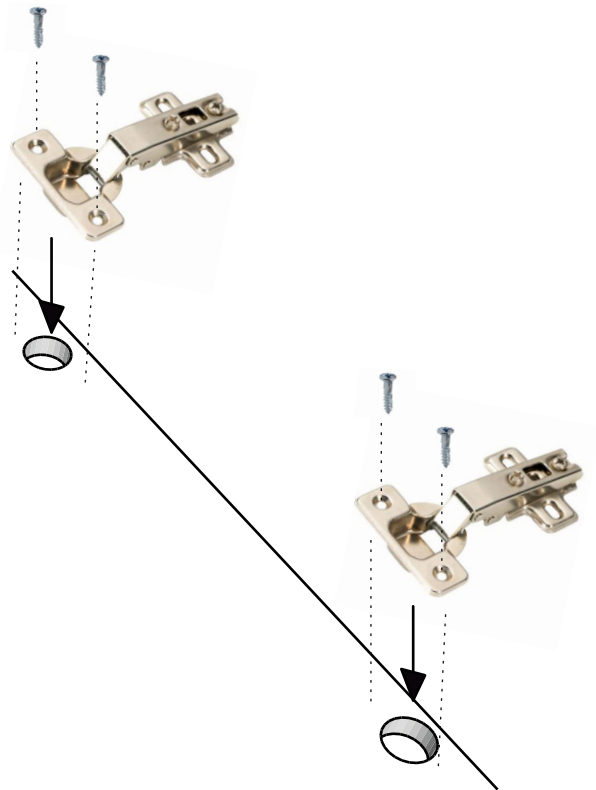
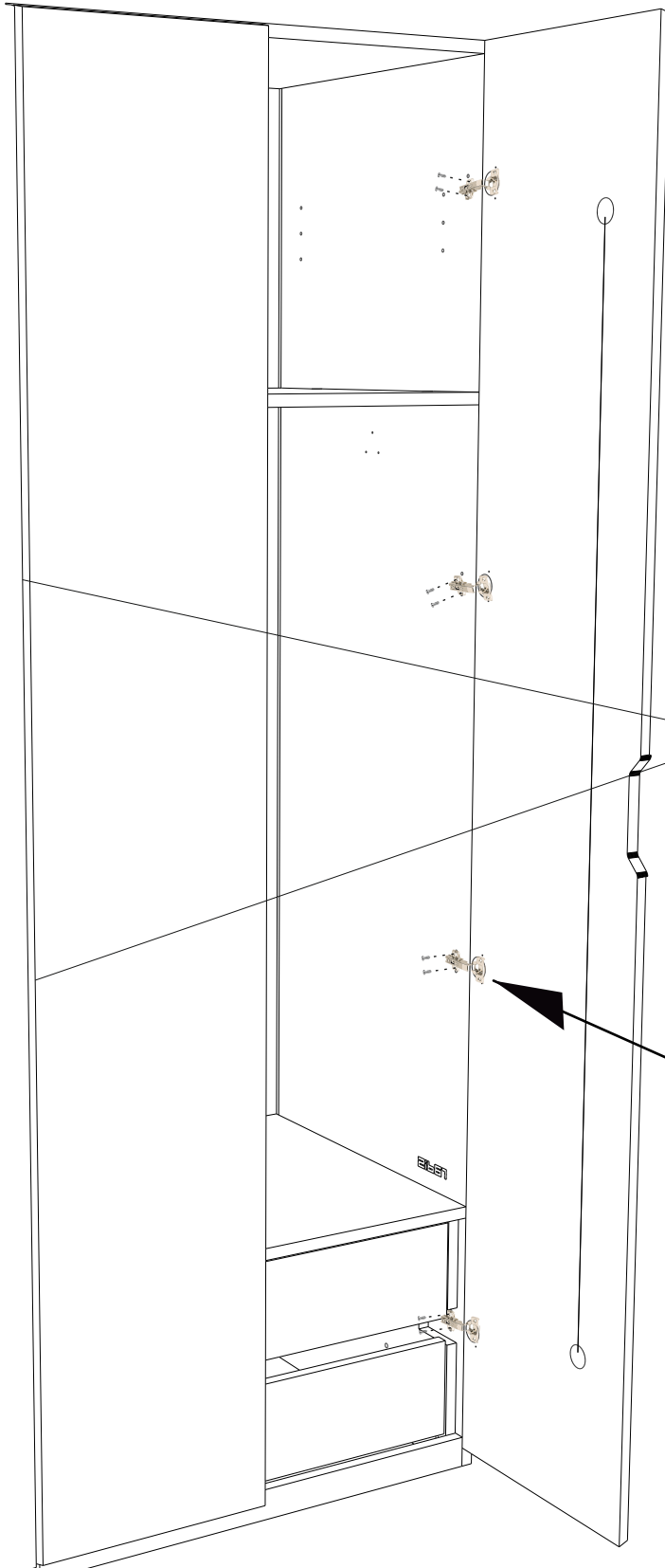
8

Install shelves



Install the drawers

9



**IMPORTANT FOR 4 DOOR MODEL
FOR CENTER DOORS:
USE HINGES AND SCREWS
FROM LABELED BAG "CENTER DOORS"**

